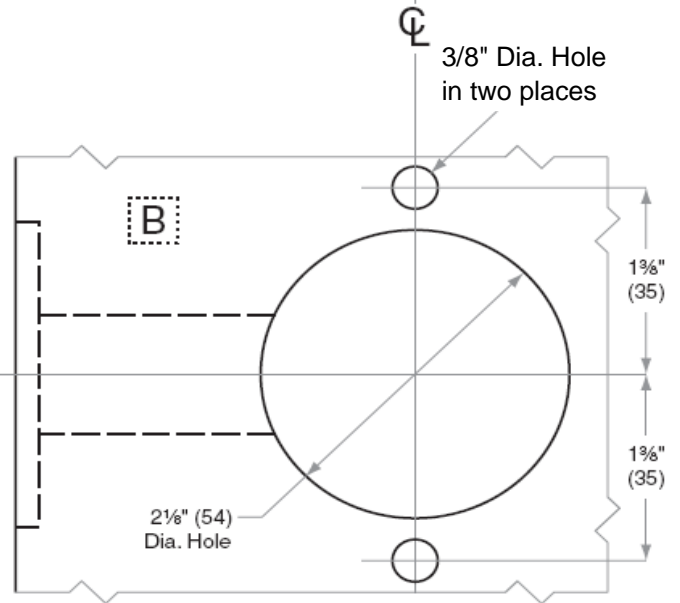
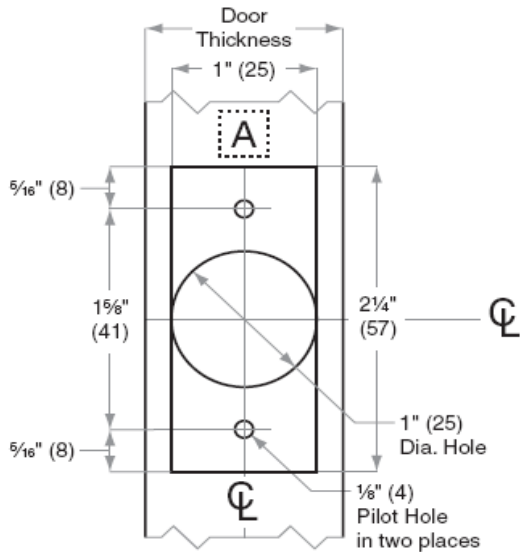
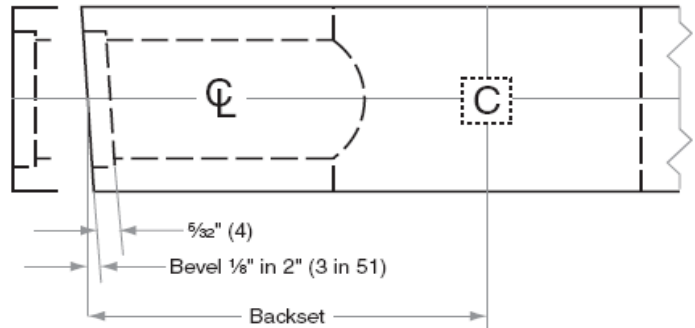
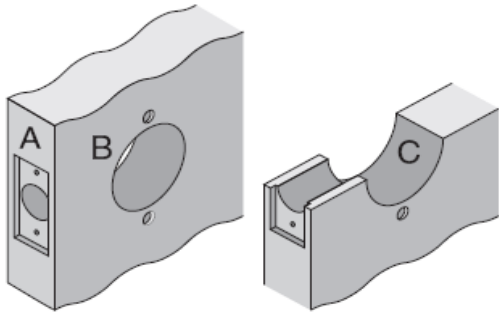


D Design Hardware



<p>Template No. X-052009</p>	<p align="center">Design Hardware</p> <p align="center">X Series Cylindrical Lockset</p>	<p align="center">Functions</p> <p align="center">75, 76, 82, 84, 86 w/ Opt. 2 3/8" Latch</p>
--	---	--