

(A) For 1000V Series (UL Listed)-Drill & tap for (6) 1/4"-20P x 3/4" machine screws for exit device.

Drill (6) 3/16" pilot holes for self-tapping machine screws or wood screws for exit device.

TEMPLATE (A)

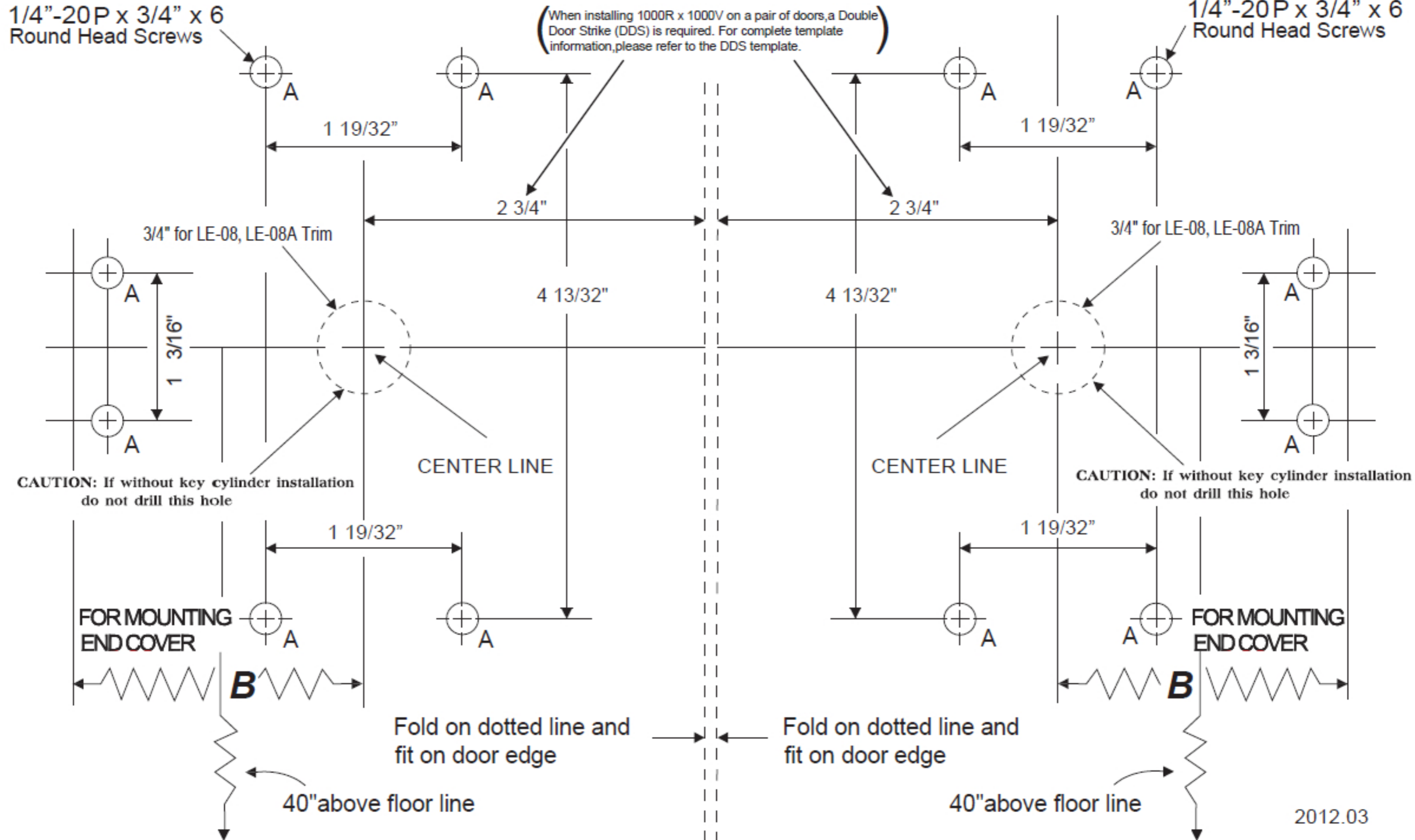
(B) For F1000V (Fire Rated)-Drill 9/32" holes inside and 3/8" holes outside for the (6) thru bolts.

FOR RIGHT HAND DOOR INSTALLATION

FOR LEFT HAND DOOR INSTALLATION

1/4"-20P x 3/4" x 6
Round Head Screws

1/4"-20P x 3/4" x 6
Round Head Screws



TEMPLATE(B-2)

- (A) For 1000V series (UL Listed)-drill & tap for (2) 1/4"-20P x 3/4" machine screws (C,D) for bottom latch assembly
Or, drill (2) 3/16" pilot holes(C,D) for self tapping machine screws or wood screws for bottom latch assembly.
- (B) For F1000V (Fire Rated)-drill 9/32" holes (C,D) inside and 3/8" holes(C,D) outside for the (2) thru bolts.

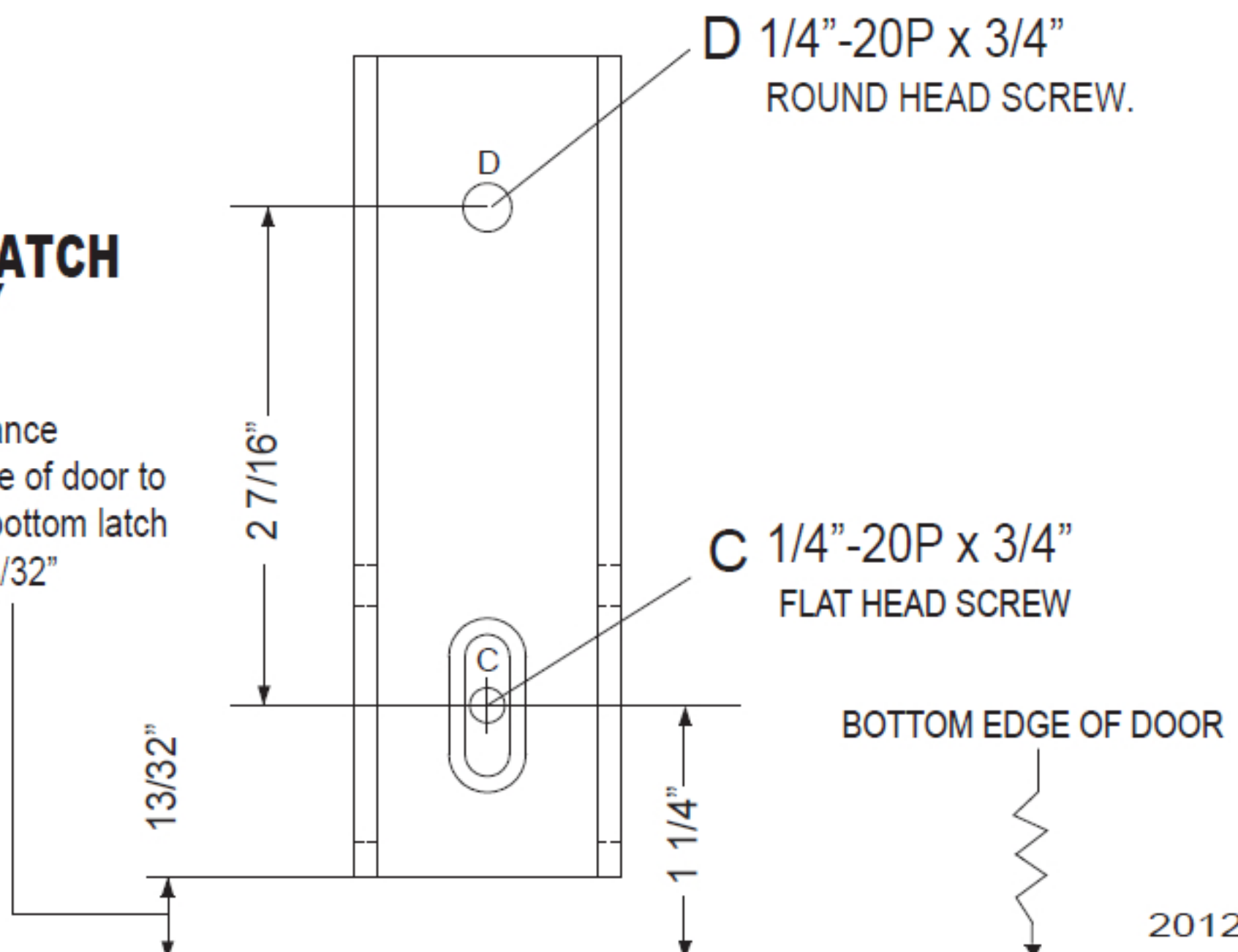
Note: When installing bottom latch assembly:

1. Drill (1) C hole and install screw but do not tighten all the way.
2. Drill (1) D hole and install and tighten screw.
3. Tighten screw in hole C all the way.

BOTTOM LATCH ASSEMBLY

CAUTION :

Be sure the distance from bottom edge of door to bottom edge of bottom latch base must be 13/32"



TEMPLATE(B-1)

(A) For 1000V series (UL Listed)-drill & tap for (2) 1/4"-20P x 3/4" machine screws (C,D) for top latch assembly Or, drill (2) 3/16" pilot holes(C,D) for self-tapping machine screws or wood screws for top latch assembly.

(B) For F1000V (Fire Rated)-drill 9/32" holes (C,D) inside and 3/8" holes(C,D) outside for the (2) thru bolts.

F 1/4"-20P x 3/4"
FLAT HEAD MACHINE SCREW

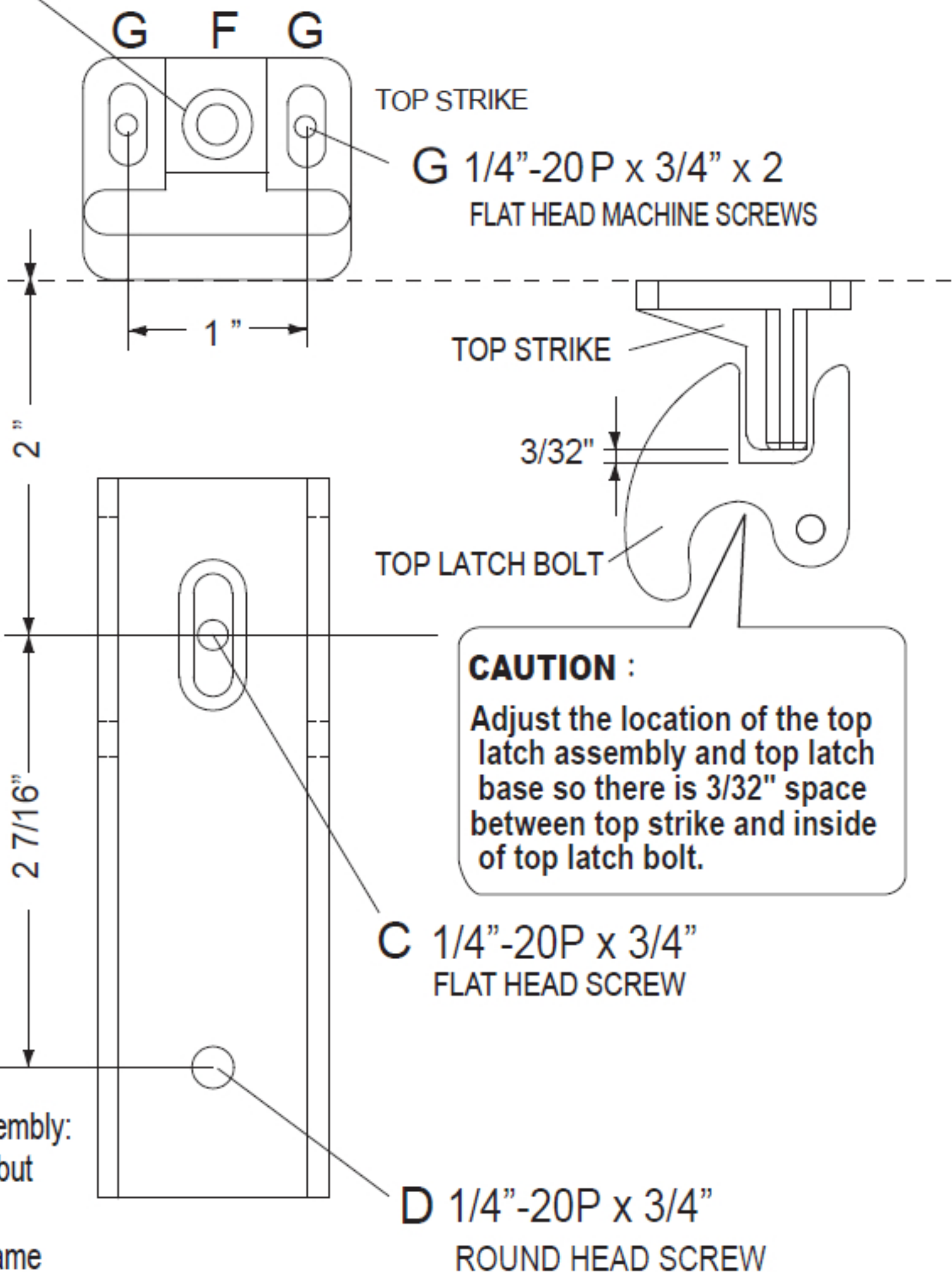
CAUTION :

Drill "F" hole after top latch assembly properly works.

FOLD REVERSELY FOR
TOP STRIKE INSTALLATION

Frame Stop

FOLD ON DOTTED
LINE AND FIT
ON DOOR FRAME



G 1/4"-20P x 3/4" x 2
FLAT HEAD MACHINE SCREWS

C 1/4"-20P x 3/4"
FLAT HEAD SCREW

D 1/4"-20P x 3/4"
ROUND HEAD SCREW

TOP LATCH ASSEMBLY

Note: When installing top latch assembly:

1. Drill (1) C hole and install screw but do not tighten all the way.
2. Make sure distance from door frame to line W is 2".
3. Drill (1) D holes and install and tighten screws.
4. Tighten screw in hole C all the way.