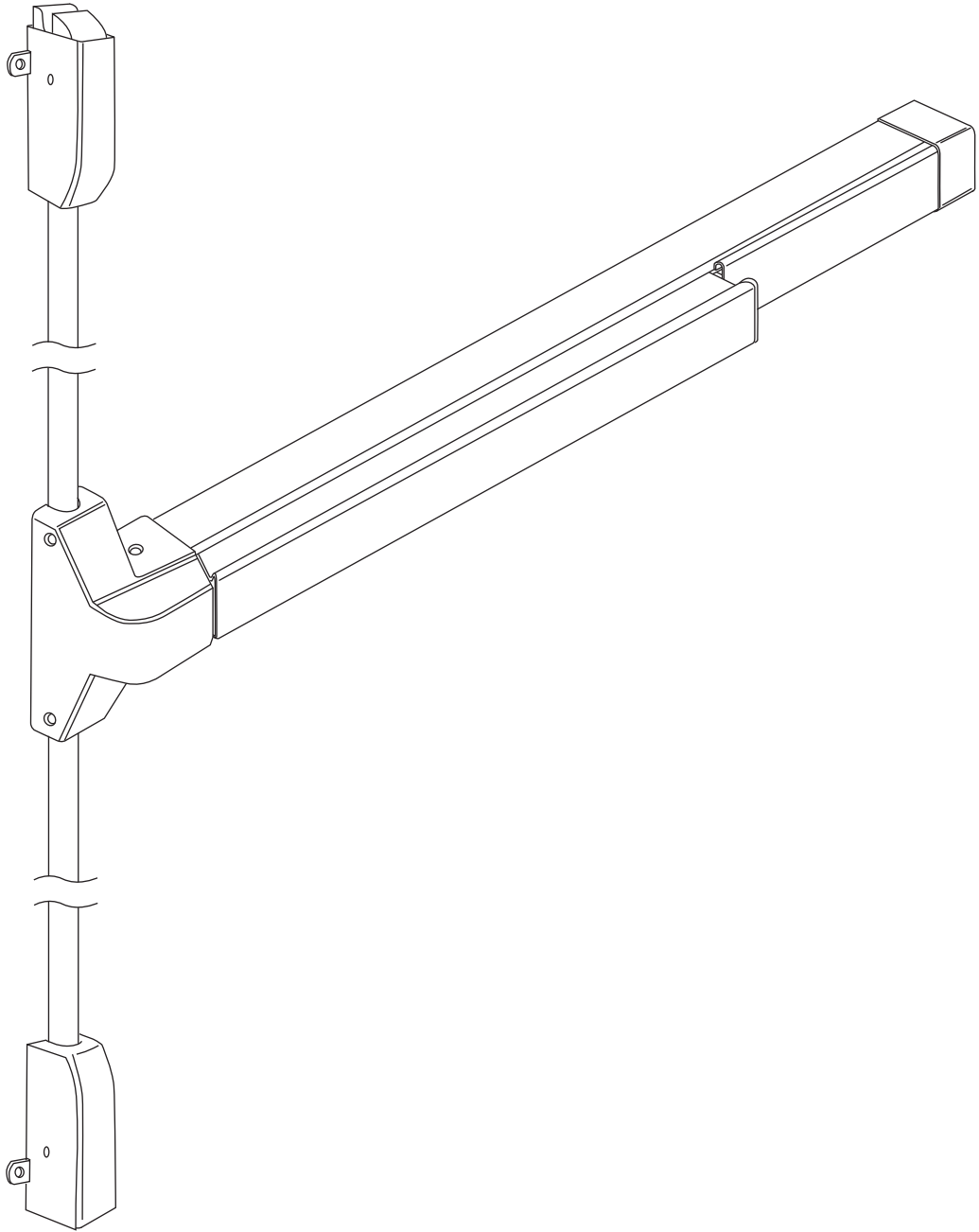
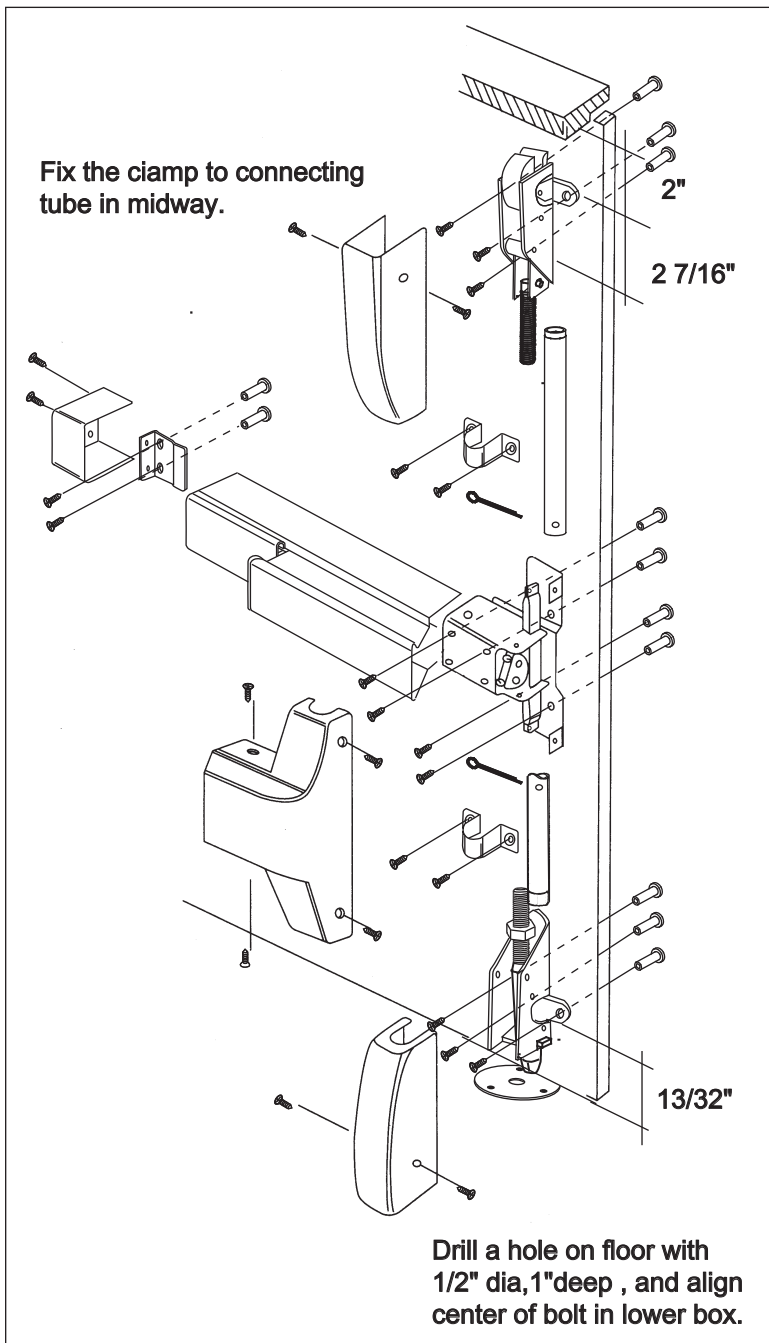


F2000V Series

FIRE RATED EXIT DEVICE



INSTALLATION INSTRUCTIONS



STEP 1 : DIRECTIONS FOR CHANGING HANDING OF DEVICE

Handing of device is preset at factory for RHR. To change handing of device, follow steps shown below and see DRAWING FOR STEP 1.

1. Loosen screws 'A' and remove screw 'B' and spring 'C'.
2. Reverse the positions of screw 'B' and spring 'C' and then tighten screw 'A'.
3. The device is now set for LHR.

STEP 2 : MARK CENTER LINE ON DOOR

Mark center line on inside of door. Establish the horizontal center line of the device by drawing a line across the door 40" above floor line.

STEP 3 : MARK DOOR AND DRILL HOLES

1. Fold and apply template (A) to edge of door and mark door as indicated on template (A).
2. Drill holes A X 6 in accordance with the diameters as indicated on template (A)

STEP 4 : INSTALL DEVICE BODY

1. Remove the head cover from the device body and end cover from the mounting bracket by removing the screws that hold them on.
2. Align tailpiece receiver of exit device and trim/cylinder tailpiece, so it slides onto trim/cylinder tailpiece. Also align screw holes on exit device head with mounting holes on the door.
3. Install and tighten the mounting screws for the head of the exit device and end cover mounting bracket.

STEP 5 : INSTALL TOP STRIKE

1. Align vertical center line of top strike and upper connecting tube as shown on template (B-1). Mark door as indicated on template (B-1).
2. Tighten screws to install top strike with proper adjustment.

STEP 6 : INSTALL TOP LATCH ASSEMBLY

1. Align vertical center line of top latch assembly and upper connecting tube as shown on template (B-1). Mark door as indicated on template (B-1).

CAUTION: BE SURE THE DISTANCE FROM DOOR FRAME TO LINE W MUST BE 2"

2. Tighten screws to install top latch assembly.

STEP 7 : INSTALL BOTTOM LATCH ASSEMBLY

1. Align vertical center line of bottom latch assembly and lower connecting tube as shown on template. Mark door as indicated on template (B-2).

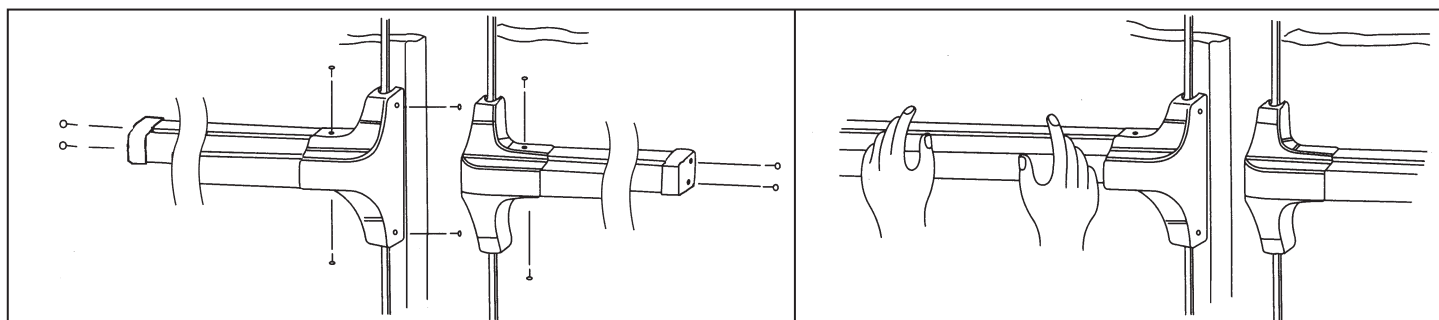
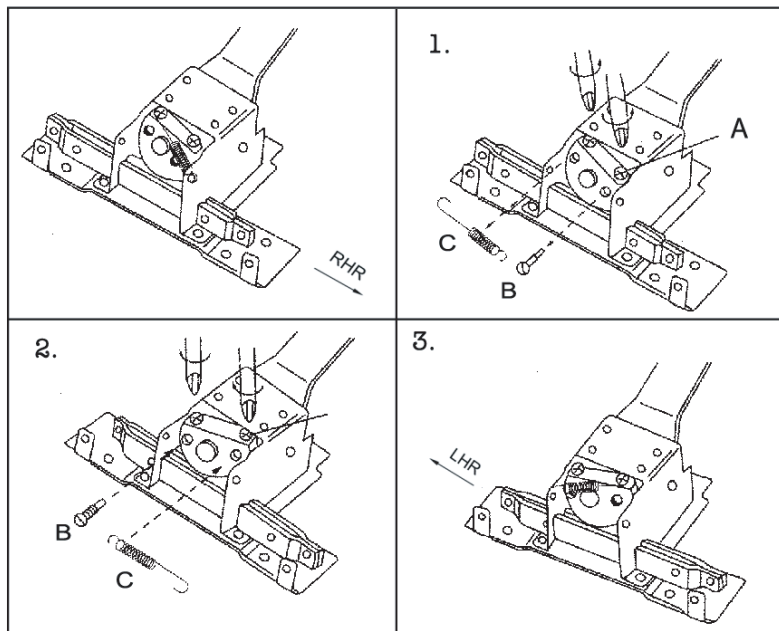
CAUTION : BE SURE THE DISTANCE FROM BOTTOM SIDE OF DOOR EDGE TO BOTTOM OF BOTTOM LATCH ASSEMBLY IS 13/32".

2. Tighten screws to install bottom latch assembly.

DRAWING FOR STEP 1

STEP 8 : INSTALL AND ADJUST UPPER CONNECTING TUBE

1. Keep the end of the tube with the threaded insert upward to connect it with the threaded bolt in the top latch assembly
2. Connect the other end of the tube to the internal mechanism of the head assembly by inserting the connecting pin into the holes.
3. Turn and adjust upper connecting tube until top latch assembly retracts properly and then fix the connecting pin by bending 2 ends.



STEP 9 : INSTALL AND ADJUST LOWER CONNECTING TUBE

1. Keep the end of the tube with the threaded insert downward to connect it with the threaded bolt in the bottom latch assembly
2. Connect the other end of the tube to the internal mechanism of the head assembly by inserting the connecting pin into the holes.
3. Connect bolt in bottom latch assembly with lower connecting tube.
Then, depress actuating bar and adjust lower connecting tube until bottom latch assembly retracts properly.
Then, fix the connecting pin by bending 2 ends. Do not let bolt in bottom latch assembly touch floor while depressing actuating bar.

STEP 11 : TEST ACTUATING BAR AND DOGGING OPERATION

1. The top latch assembly should engage the top strike and the bottom latch assembly should engage the floor strike when the door is closed. If the door can be pushed open without depressing the actuating bar, the upper connecting tube has been over adjusted. Readjust it as needed.
2. The top and bottom latch assembly should disengage from the strikes freely when the actuating bar is depressed or dogged down. If they do not disengage, adjust the bolt in the bottom latch assembly as needed and retest for proper operation.

STEP 10 : INSTALL FLOOR STRIKE

1. Let the bolt in the lower bottom latch assembly touch the floor and mark on floor.
2. Drill a 5/8" dia, 1" deep hole.
3. Let the bolt in the lower bottom latch assembly insert into the center hole of floor strike and mark 3 anchor / screw holes on floor.
4. Drill 3 anchor / screw holes, 1/4" dia, 1 1/8" deep.
5. Hammer 3 anchors into 3 anchor / screw holes.
Tighten up 3 screws.

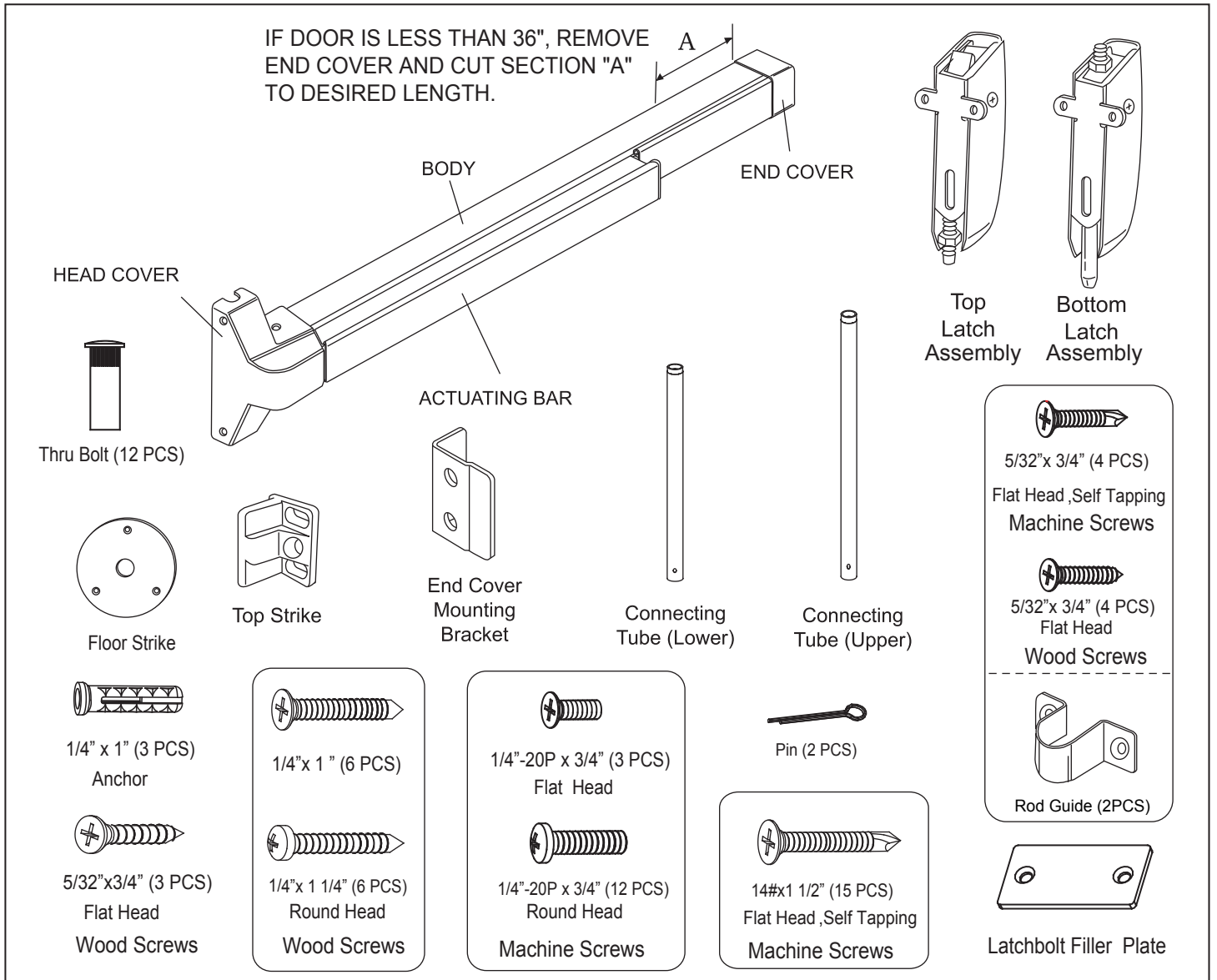
STEP 12 : INSTALL TWO ROD GUIDES

1. Take the approximately middle of upper and lower connecting tube.
2. Tighten screws to install rod guides.

STEP 13 : INSTALL 4 COVERS

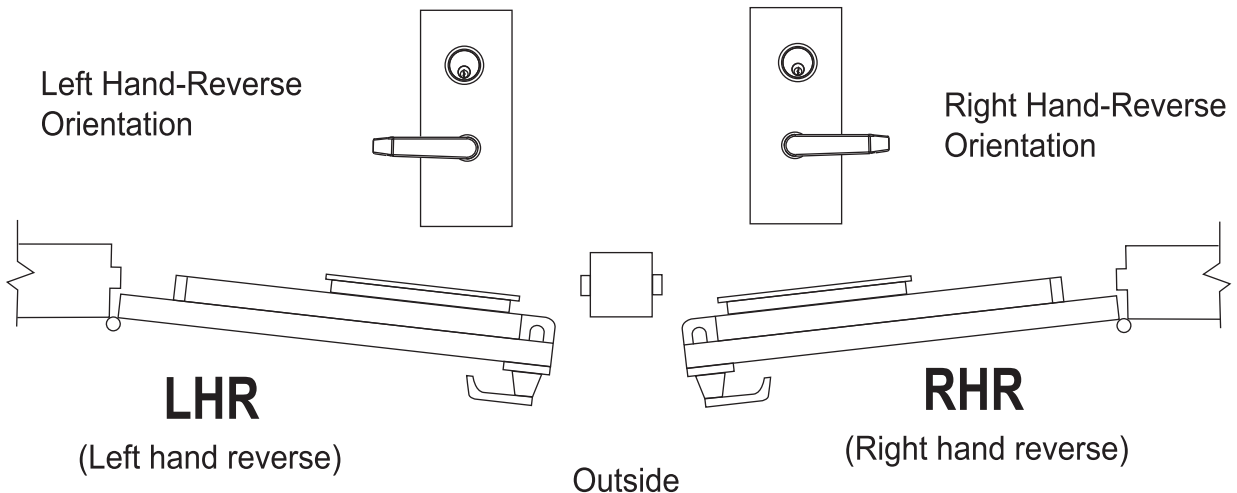
Install head cover, end cover, top latch cover, bottom latch cover and tighten screws.

PARTS IDENTIFICATION



DOOR HANDING

Note: If door is LHR , please refer to step 1



(A) For 2000V Series (UL Listed)-Drill & tap for (6) 1/4"-20P x 3/4" machine screws for exit device.

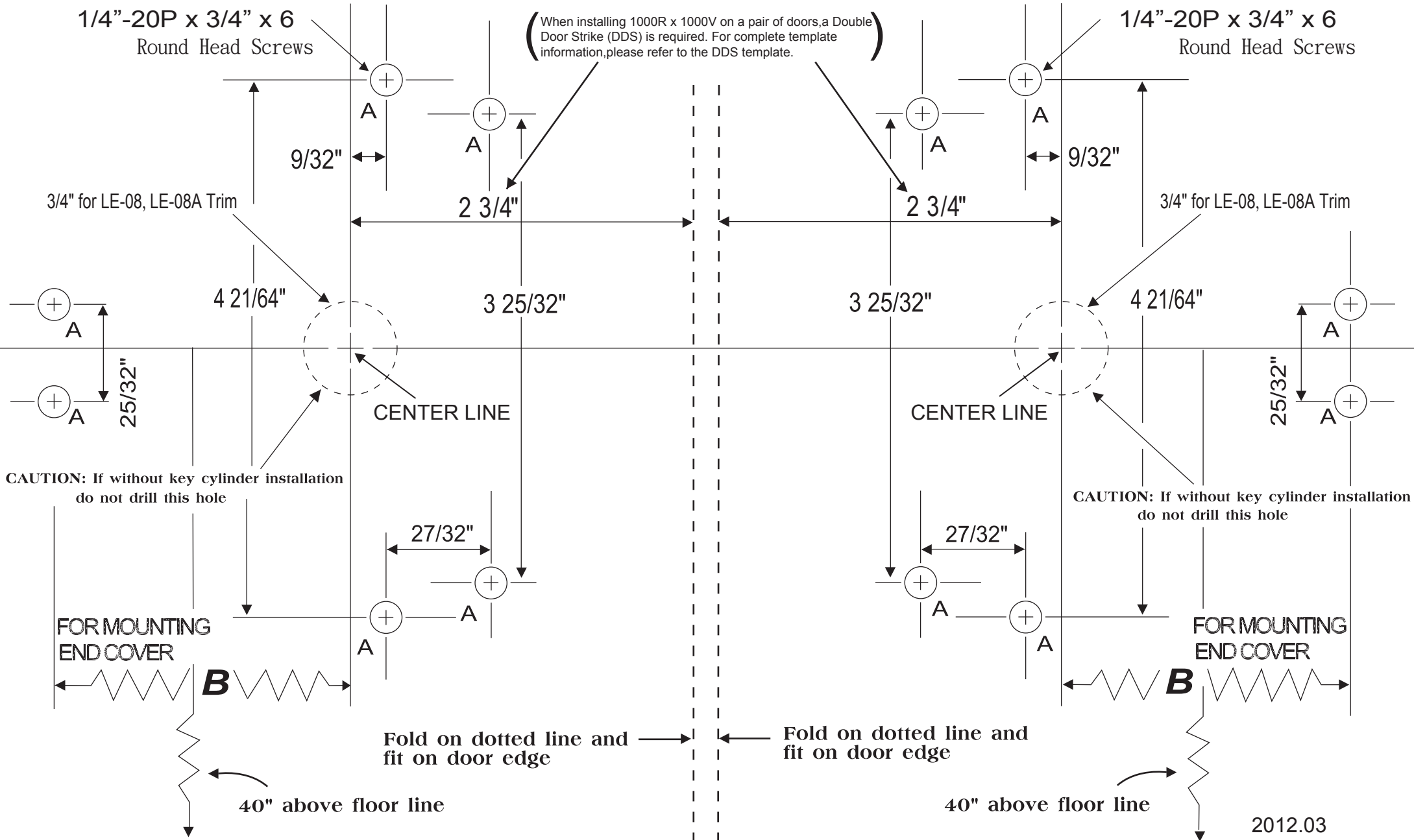
Drill (6) 3/16" pilot holes for self-tapping machine screws or wood screws for exit device.

TEMPLATE (A)

(B) For F2000V (Fire Rated)-Drill 9/32" holes inside and 3/8" holes outside for the (6) thru bolts.

FOR RIGHT HAND DOOR INSTALLATION

FOR LEFT HAND DOOR INSTALLATION



TEMPLATE(B-2)

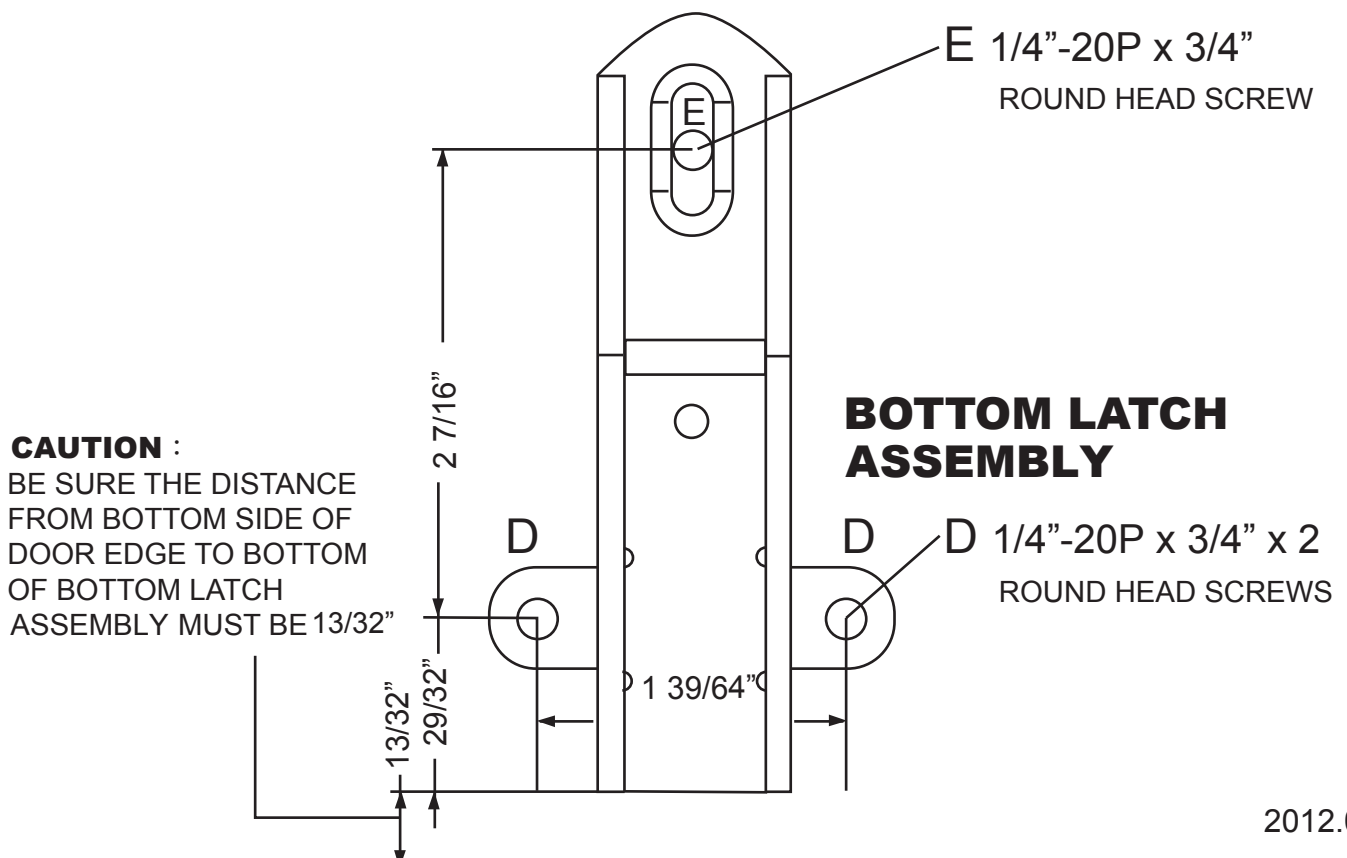
(A) For 2000V Series (UL Listed)-Drill & tap for (3) 1/4"-20P x 3/4" machine screws (2xD,E) for latches.

Drill (3) 3/16" pilot holes (2xD,E) for self-tapping machine screws or wood screws for latches.

(B) For F2000V (Fire Rated)-Drill 9/32" holes (2xD,E) inside and 3/8" holes (2xD,E) outside for the (3) thru bolts.

Note: When installing top latch assembly:

1. Drill (1) E hole and install screw but do not tighten all the way.
2. Drill (2) D holes and install and tighten screws.
3. Tighten screw in hole E all the way.



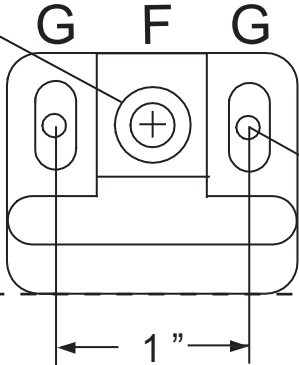
TEMPLATE(B-1)

(A) For 2000V Series (UL Listed)-Drill & tap for (3) 1/4"-20P x 3/4" machine screws (2xD,E) for latches
 Drill (3) 7/32" pilot holes (2xD,E) for self tapping machine screws or wood screws for latches.

(B) For F2000V (Fire Rated)-Drill 9/32" holes (2xD,E) inside and 3/8" holes (2xD,E) outside for the (3) thru bolts.

F 1/4"-20P x 3/4" x 1
 FLAT HEAD MACHINE SCREWS

CAUTION:
 DRILL "F" HOLE AFTER LATCH BOLT
 PROPERLY WORKS.



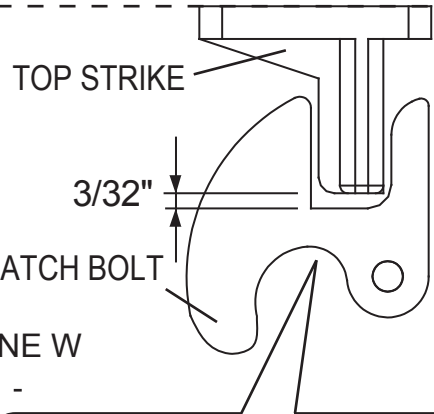
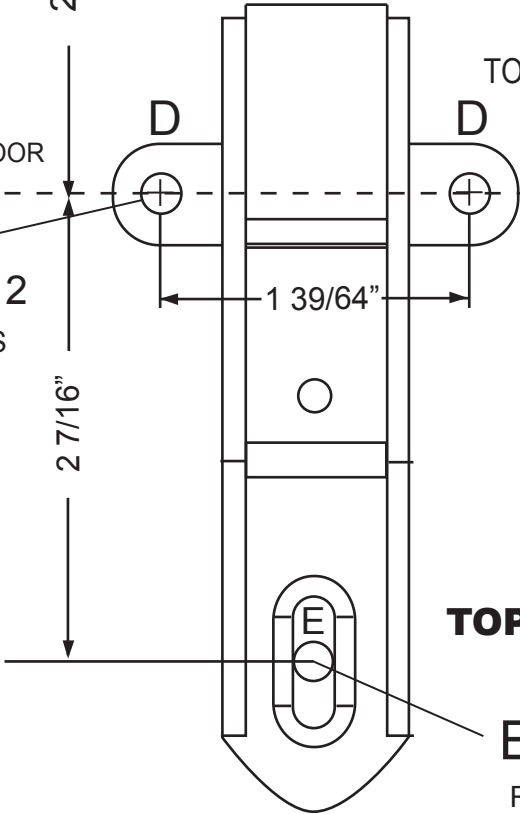
G 1/4"-20P x 3/4" x 2
 FLAT HEAD MACHINE SCREWS

FOLD REVERSELY FOR
 TOP STRIKE INSTALLATION
 Frame Stop

FOLD ON DOTTED LINE
 AND FIT ON DOOR
 FRAME

CAUTION:
 BE SURE THE DISTANCE FROM DOOR
 FRAME TO LINE W MUST BE 2"

D 1/4"-20P x 3/4" x 2
 ROUND HEAD SCREWS



CAUTION:
 Adjust the location of the top
 latch assembly and top latch
 base so there is 3/32" space
 between top strike and inside
 of top latch.

TOP LATCH ASSEMBLY

E 1/4"-20P x 3/4"
 ROUND HEAD SCREW

Note: When installing top latch assembly:

1. Drill (1) E hole and install screw but do not tighten all the way.
2. Make sure distance from door frame to line W is 2".
3. Drill (2) D holes and install and tighten screws.
4. Tighten screw in hole E all the way.