

(A) For 2000V Series (UL Listed)-Drill & tap for (6) 1/4"-20P x 3/4" machine screws for exit device.

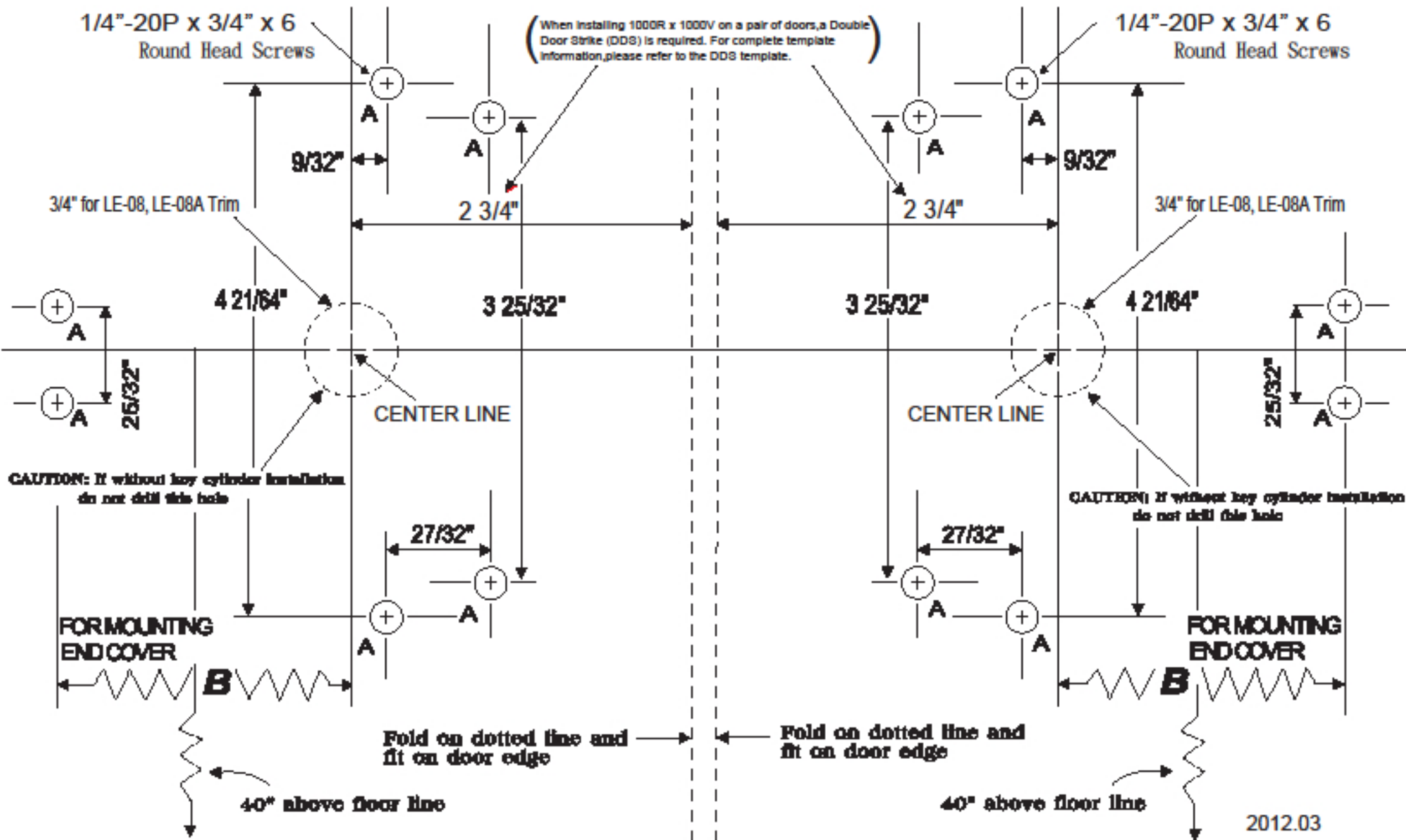
Drill (6) 3/16" pilot holes for self-tapping machine screws or wood screws for exit device.

## TEMPLATE (A)

(B) For F2000V (Fire Rated)-Drill 9/32" holes inside and 3/8" holes outside for the (6) thru bolts.

### FOR RIGHT HAND DOOR INSTALLATION

### FOR LEFT HAND DOOR INSTALLATION



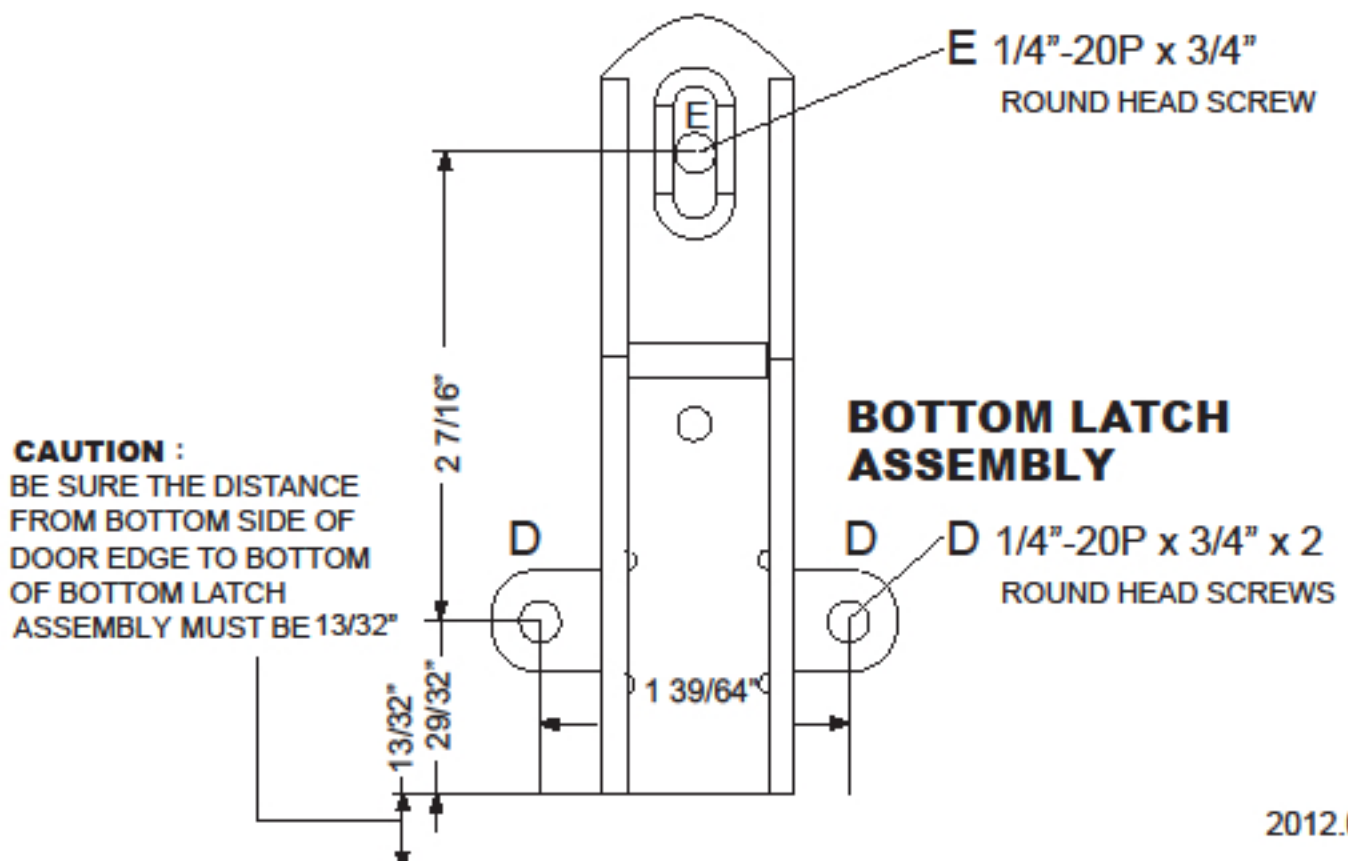
## TEMPLATE(B-2)

(A) For 2000V Series (UL Listed)-Drill & tap for (3) 1/4"-20P x 3/4" machine screws (2xD,E) for latches.  
Drill (3) 3/16" pilot holes (2xD,E) for self-tapping machine screws or wood screws for latches.

(B) For F2000V (Fire Rated)-Drill 9/32" holes (2xD,E) inside and 3/8" holes (2xD,E) outside for the (3) thru bolts.

**Note:** When installing top latch assembly:

1. Drill (1) E hole and install screw but do not tighten all the way.
2. Drill (2) D holes and install and tighten screws.
3. Tighten screw in hole E all the way.



# TEMPLATE(B-1)

(A) For 2000V Series (UL Listed)-Drill & tap for (3) 1/4"-20P x 3/4" machine screws (2xD,E) for latches  
 Drill (3) 7/32" pilot holes (2xD,E) for self tapping machine screws or wood screws for latches.

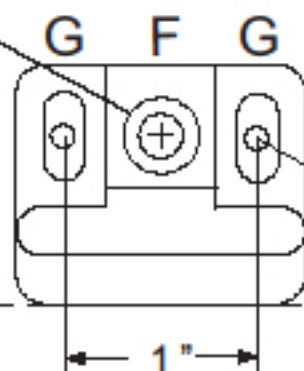
(B) For F2000V (Fire Rated)-Drill 9/32" holes (2xD,E) inside and 3/8" holes (2xD,E)  
 outside for the (3) thru bolts.

**F** 1/4"-20P x 3/4" x 1  
 FLAT HEAD MACHINE SCREWS

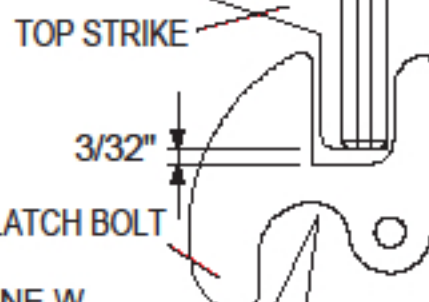
**CAUTION:**  
 DRILL "F" HOLE AFTER LATCH BOLT  
 PROPERLY WORKS.

FOLD REVERSELY FOR  
 TOP STRIKE INSTALLATION  
 Frame Stop

FOLD ON DOTTED LINE  
 AND FIT ON DOOR  
 FRAME

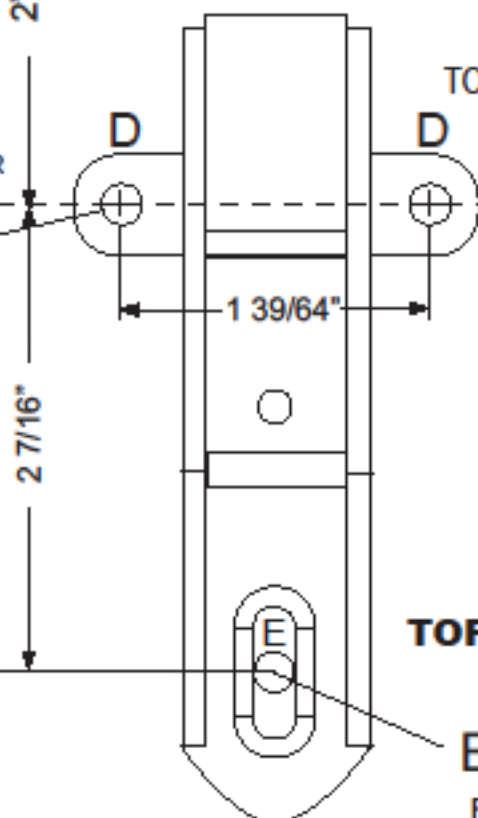


**G** 1/4"-20P x 3/4" x 2  
 FLAT HEAD MACHINE SCREWS



**CAUTION:**  
 BE SURE THE DISTANCE FROM DOOR  
 FRAME TO LINE W MUST BE 2"

**D** 1/4"-20P x 3/4" x 2  
 ROUND HEAD SCREWS



**CAUTION:**  
 Adjust the location of the top  
 latch assembly and top latch  
 base so there is 3/32" space  
 between top strike and inside  
 of top latch.

## TOP LATCH ASSEMBLY

**E** 1/4"-20P x 3/4"  
 ROUND HEAD SCREW

Note: When installing top latch assembly:

1. Drill (1) E hole and install screw but do not tighten all the way.
2. Make sure distance from door frame to line W is 2".
3. Drill (2) D holes and install and tighten screws.
4. Tighten screw in hole E all the way.