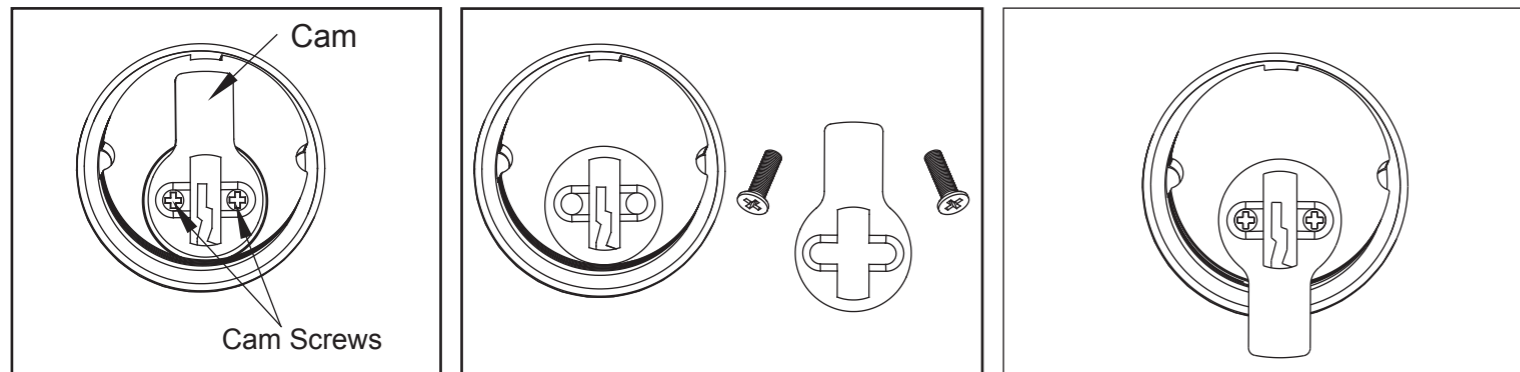


Instructions for converting LE-08 Entry to LE-03NL Night latch function

LE-08 Entry function can be converted to LE-03NL Night latch function by inverting the cam on the mortise cylinder. The steps below show how to invert the cam:

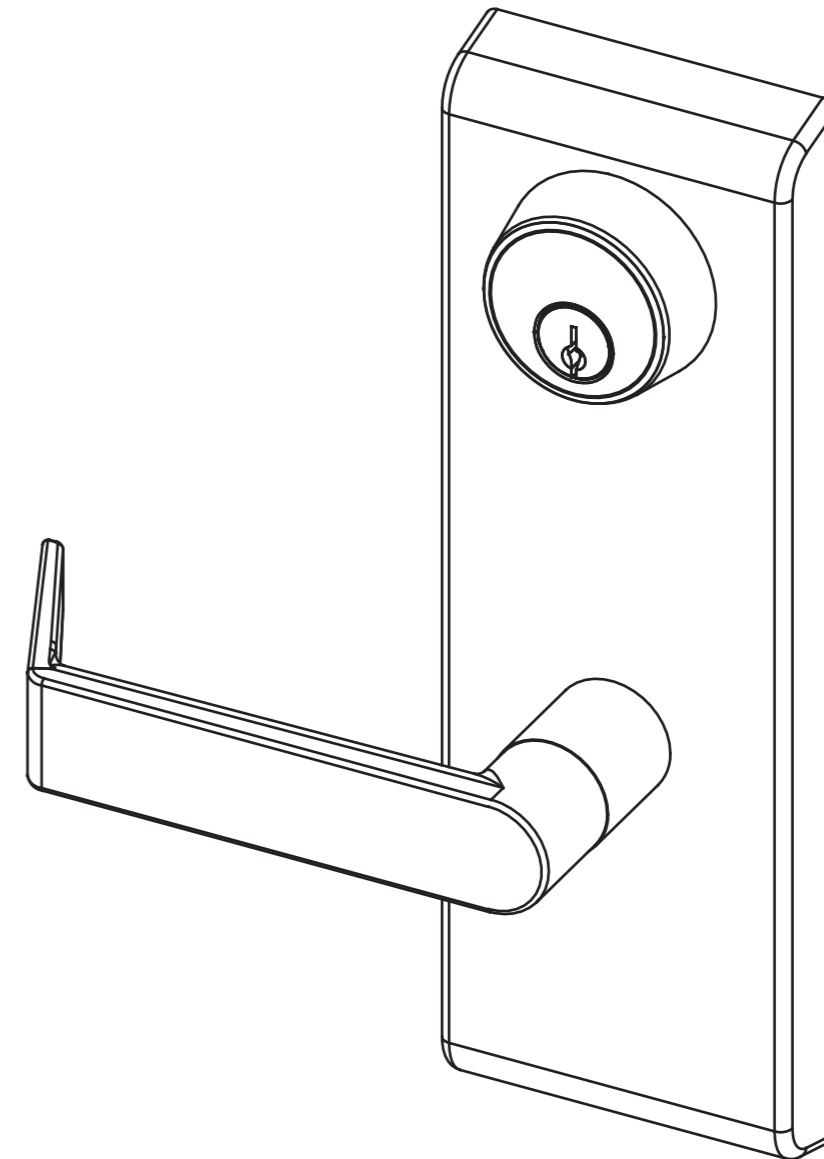


Do not insert the key while converting function.

Re-install and tighten the cam screws being careful not to over tighten them as overtightened screws will make mortise cylinder difficult to operate.

Step # 4: Follow LE-08 directions for installing cylinder into trim.

1000 & 2000 Series LEVER ESCUTCHEON TRIM



LE-08/LE-08A/LE-02DT
(ENTRY) (PASSAGE) (DUMMY)

INSTALLATION INSTRUCTIONS

1. DETERMINE HANDING OF DOOR AS LHR OR RHR AND ROTATE LEVER TO CORRESPONDING POSITION. (SEE FIGURE 5 AND 6).
 2. IMPORTANT: INSERT SCREW A INTO HOLE "A" (SEE FIGURE 2) AND TIGHTEN TO SECURE LEVER POSITION.
 3. INSERT SPINDLE, INTO BACK OF LEVER IN HOLE "E". (SEE FIGURE 2).
 4. FOR 1000 SERIES SCREW THRU BOLTS INTO (4) G HOLES & FOR 2000 SERIES, SCREW THRU BOLTS INTO (4) C HOLES AND TIGHTEN.
 5. IF CYLINDER IS REQUIRED, INSTALL CYLINDER INTO CYLINDER HOLE WITH CYLINDER COLLAR AND SECURE WITH CYLINDER RETAINING RING.
 6. IF LE-02DT DUMMY TRIM IS BEING USED, PUT THE LEVER AT THE REQUIRED LHR OR RHR POSITION, INSERT SCREWS INTO HOLES F&F AND TIGHTEN TO MAKE LEVER RIGID.
 7. PROCEED WITH TEMPLATING DOOR AS SHOWN IN FIG 7 AND FIG 9 FOR EITHER 1000 OR 2000 SERIES.
 8. INSERT LEVER ESCUTCHEON TRIM INTO DOOR PREP. (SEE FIGURE 3) AND SECURE TO EXIT DEVICE USING MOUNTING SCREWS (SEE FIGURE 4).
- NOTE: DO NOT REMOVE "B" SCREWS (SEE FIGURE 2) OR WARRANTY WILL BE VOID.

For 1000 Series-LHR or RHR, drill (4) G holes.
 For 2000 Series-LHR or RHR, drill (4) C holes.

INTERIOR SIDE OF DOOR

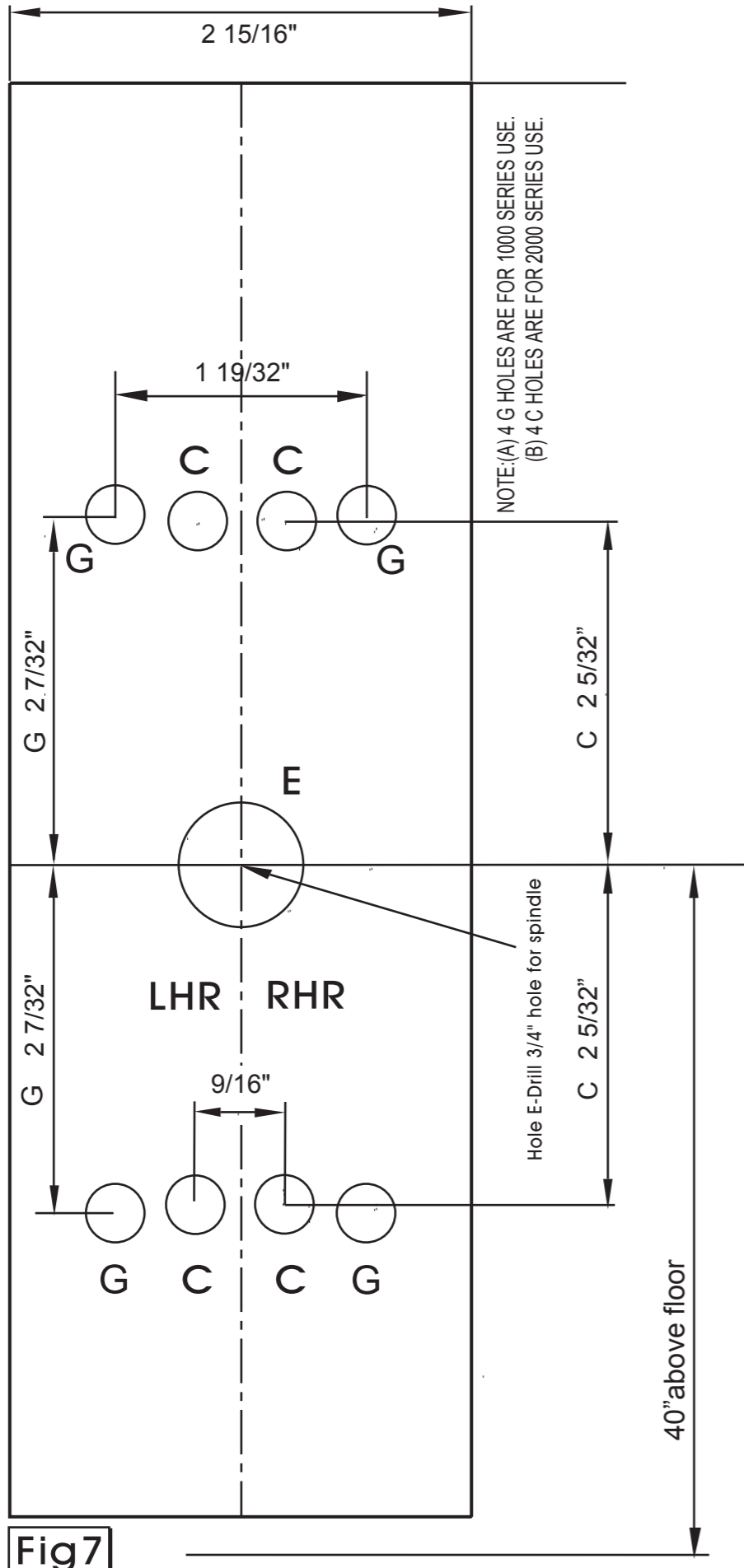


Fig 7

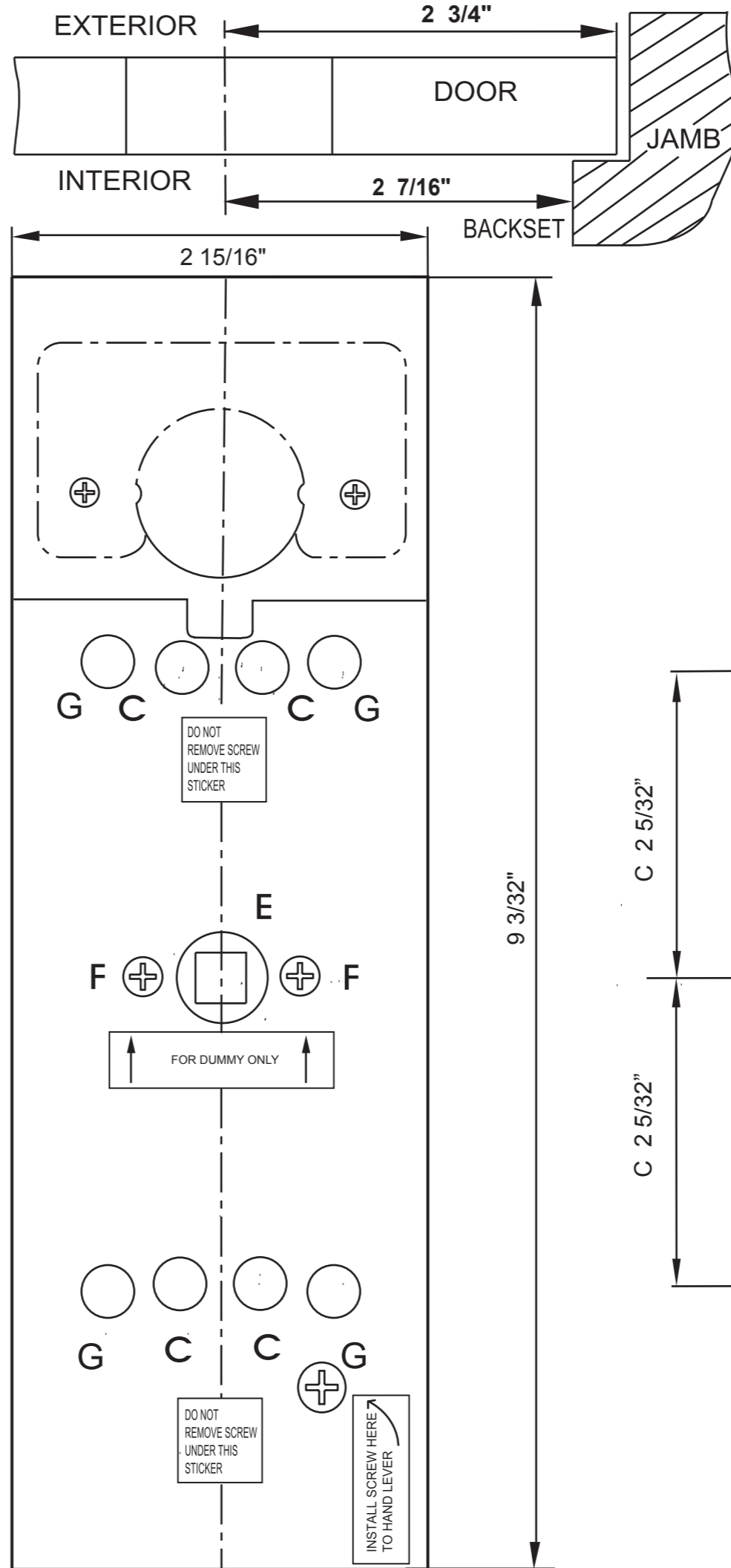


Fig 8 BACK OF LEVER TRIM

EXTERIOR SIDE OF DOOR

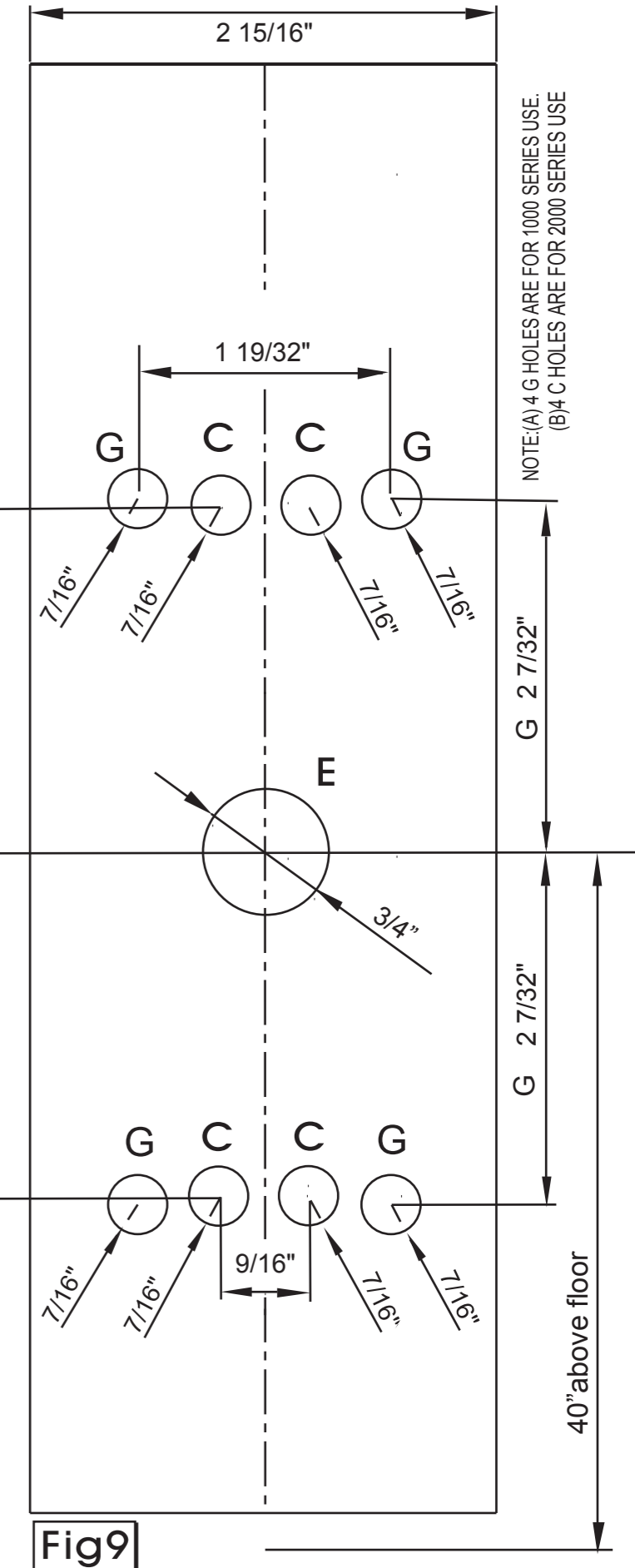


Fig 9

NOTE:
 1. Backset 2 7/16" is for 1000R/2000R/F1000R/F2000R use.
 2. Backset 2 3/4" is for 1000V/2000V/F1000V/F2000V use.
 3. When installing 1000R x 1000V on a pair of doors, a Double Door Strike (DDS) is required. For complete template information, please refer to the DDS template.