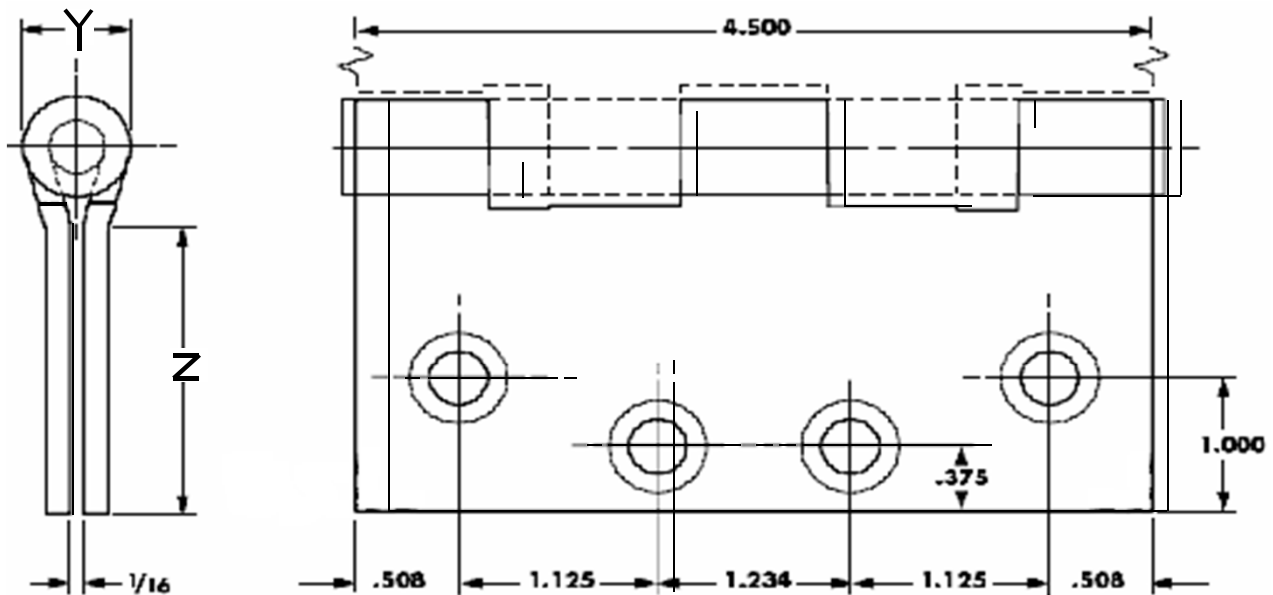


FULL MORTISE TEMPLATE BUTT HINGES - 4 1/2" x 4 1/2"



DO NOT SCALE

Template # : BB5-SW.45 / BB5-HW.45 / SH.45

Hinge Number	Gauge of Metal	(Y) Outside Diameter	Distance From Edge of Leaf to Swage Line (Z)
Type 5 - 4 1/2" x 4 1/2"	0.134	0.605	1 29/32
BB5 - 4 1/2" x 4 1/2"	0.134	0.625	1 25/32
Spring 4 1/2" x 4 1/2"	0.134		1 25/32
BB5-HW - 4 1/2" x 4 1/2"	0.180	0.698	1 23/32

Machine Screw Size - 1/2" x 12-24 F.H.

Wood Screw Size - 1 1/4" x No. 12 F.H.


Design Hardware
 211 Endeavor Drive Ph. 877-258-1262
 Rogersville, MO 65742 Fax 877-888-0150
www.designhardware.net