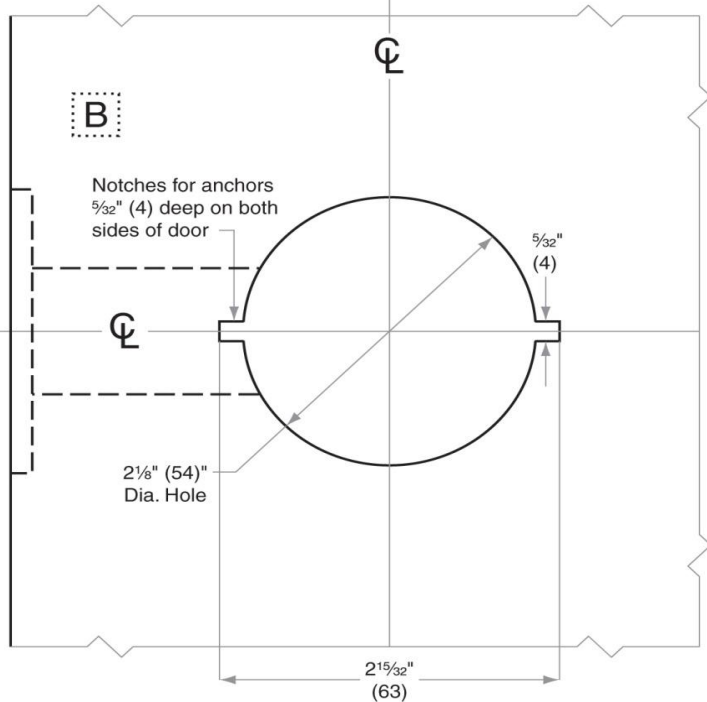
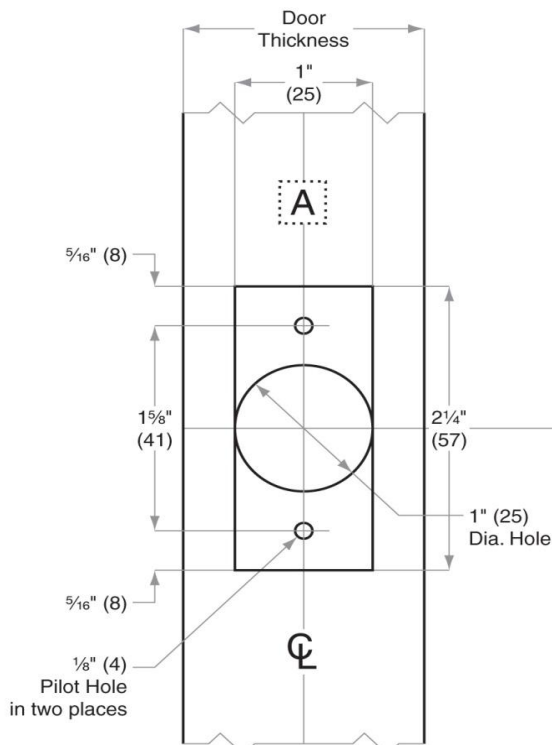
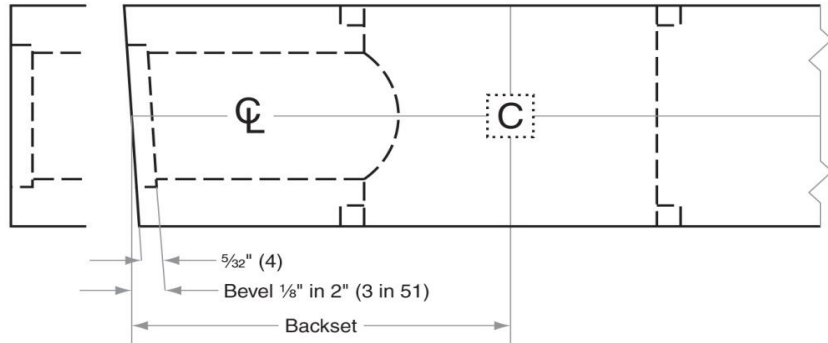
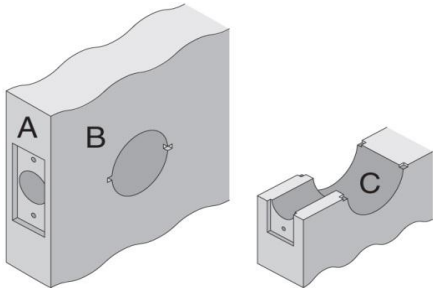




Design Hardware™

www.DesignHardware.net



<p>Template No. K2.238</p>	<p align="center">Design Hardware</p> <p align="center">K2 Series Cylindrical Lockset</p>	<p align="center">Functions 75, 76, 82, 84, 86 w/ Opt. 2 3/8" Latch</p>
--	--	--