

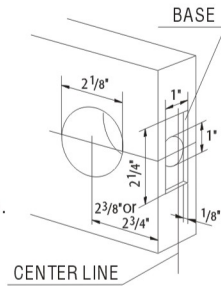
HOW TO INSTALL THIS TUBULAR LEVERSET

● Fit Doors 1-3/8" to 2" Thick

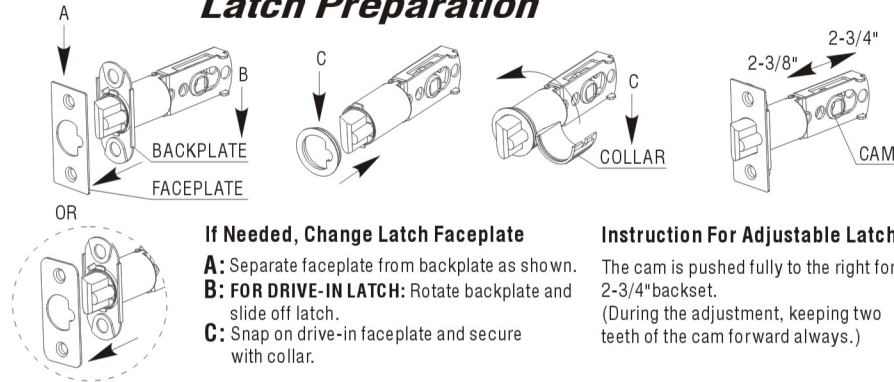
● Backset 2-3/8" or 2-3/4"

New Door Preparation

- A:** Fold template on edge of door mark site 2-3/8" or 2-3/4" of holes.
- B:** Drill a 2-1/8" hole through door (from both sides to avoid damaging door).
- C:** Drill a 1" hole in door edge.
- D:** Cut out a 2-1/4"x1"x1/8" base.



Latch Preparation



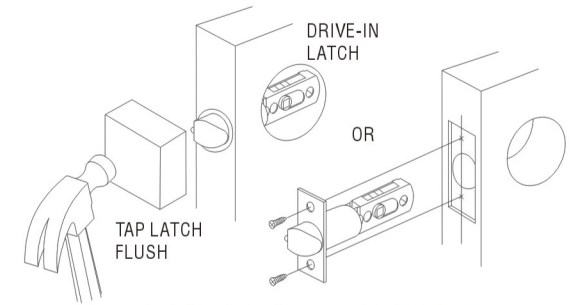
If Needed, Change Latch Faceplate

- A:** Separate faceplate from backplate as shown.
- B: FOR DRIVE-IN LATCH:** Rotate backplate and slide off latch.
- C:** Snap on drive-in faceplate and secure with collar.

Instruction For Adjustable Latch

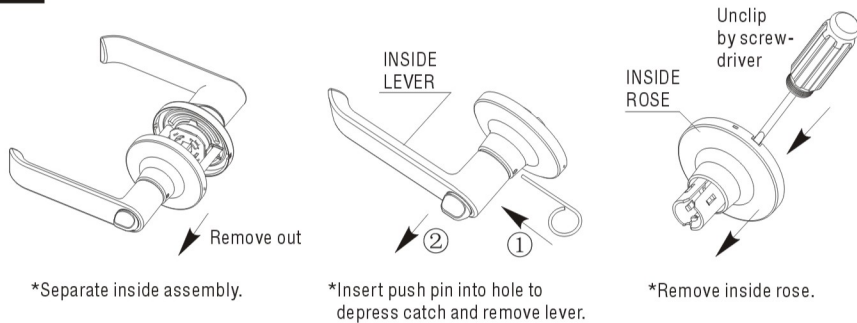
The cam is pushed fully to the right for 2-3/4" backset. (During the adjustment, keeping two teeth of the cam forward always.)

Install Latch

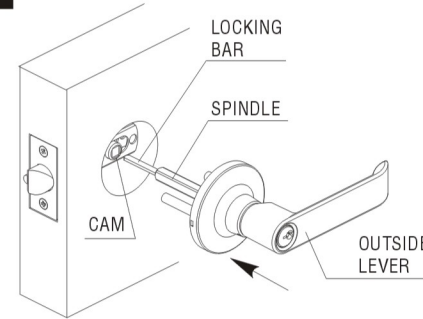


Install as shown for appropriate latch type. Ensure bevel faces door jamb.

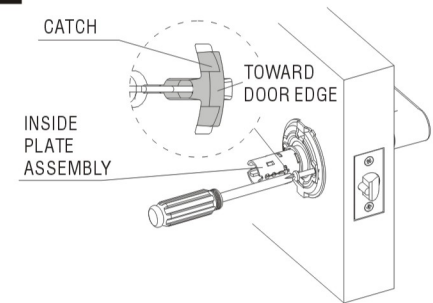
1 DISASSEMBLE INSIDE LEVER AND INSIDE ROSE



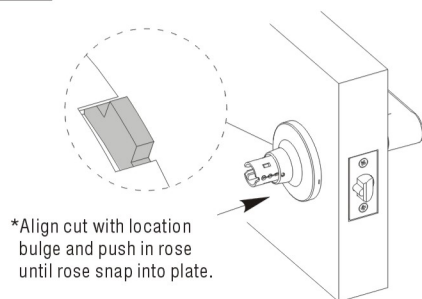
2 INSTALL OUTSIDE LEVER



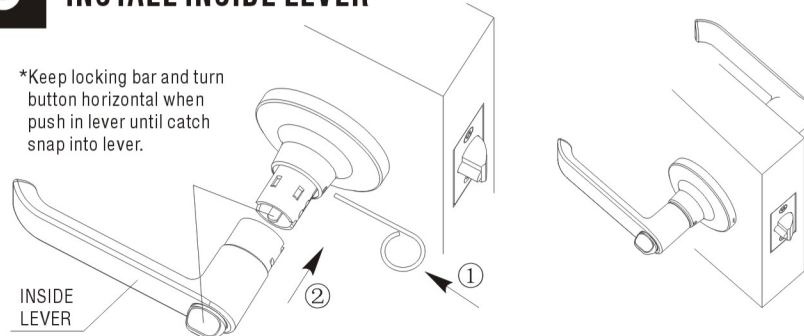
3 INSTALL INSIDE PLATE ASSEMBLY



4 INSTALL INSIDE ROSE



5 INSTALL INSIDE LEVER



6 INSTALL STRIKE

