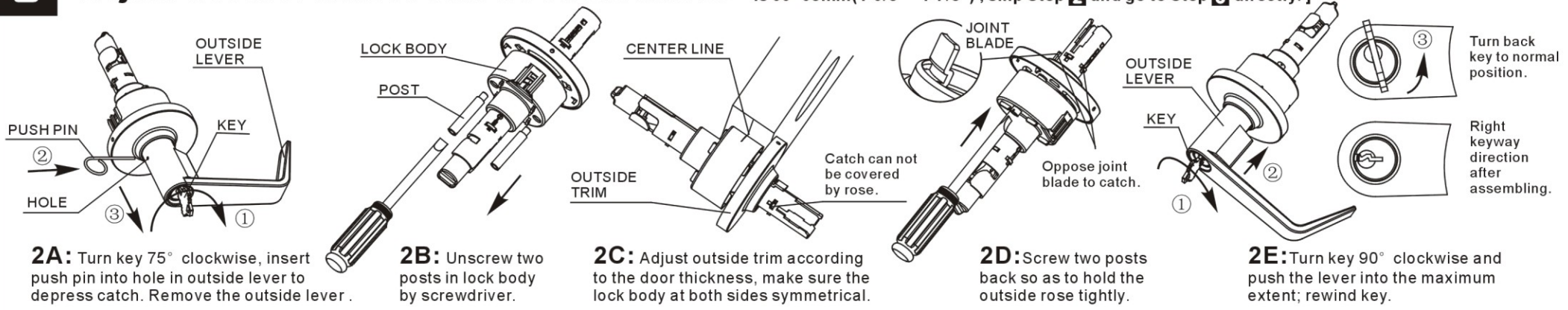


# 2

## ADJUST OUTSIDE TRIM TO SUIT DOOR THICKNESS [ This lock is factory preset for 35mm(1-3/8") doors, if your door thickness is 35~38mm(1-3/8"~ 1-7/8"), skip Step 2 and go to Step 3 directly. ]



**2A:** Turn key 75° clockwise, insert push pin into hole in outside lever to depress catch. Remove the outside lever.

**2B:** Unscrew two posts in lock body by screwdriver.

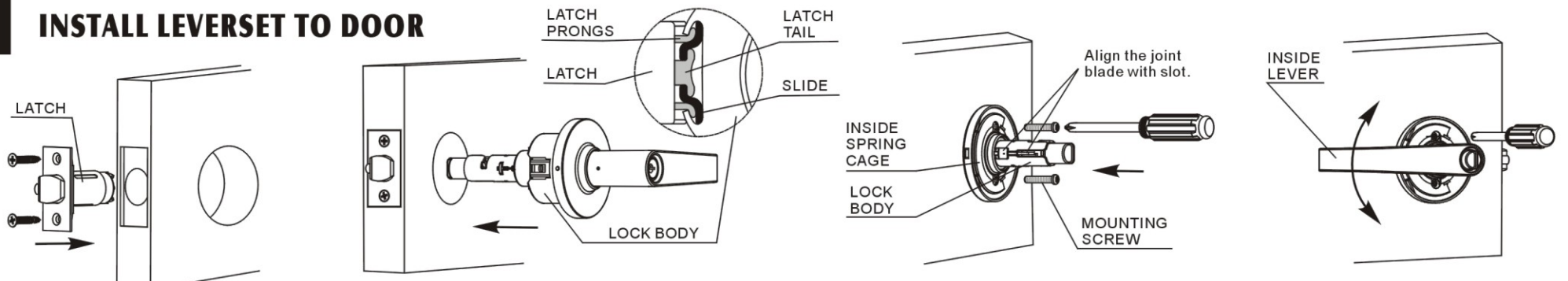
**2C:** Adjust outside trim according to the door thickness, make sure the lock body at both sides symmetrical.

**2D:** Screw two posts back so as to hold the outside rose tightly.

**2E:** Turn key 90° clockwise and push the lever into the maximum extent; rewind key.

# 3

## INSTALL LEVERSET TO DOOR

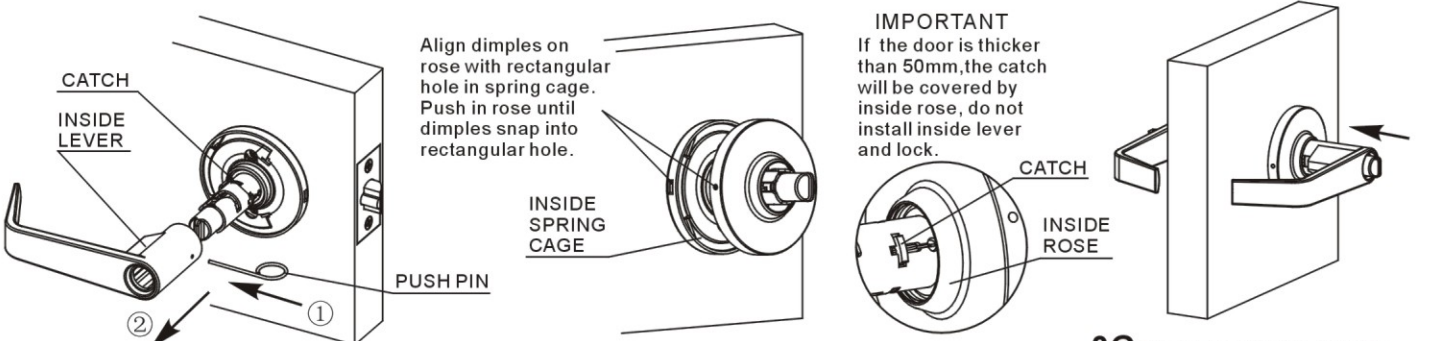


**3A:** Insert latch unit and fix it with two wood screws.

**3B:** Place lock body into position. Make sure that latch prongs engage chassis housing, and slide engages latch tail.

**3C:** Install inside spring cage, Screws should be tightened to its full length.

**3D:** Fix the inside lever and check if the rotation is smooth. Adjust the radial clearance between inside spring cage and inside lever.



**3E:** Disassemble inside lever by push pin.

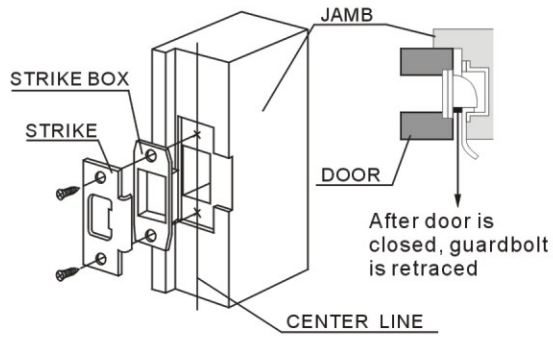
**3F:** Fix inside rose and make sure inside rose and inside spring cage are tightened.

**IMPORTANT**  
If the door is thicker than 50mm, the catch will be covered by inside rose, do not install inside lever and lock.

**3G:** Slide lever onto spindle. Push lever completely into place. (Pull on lever to make sure that catch is fully engaged).

# 4

## INSTALL STRIKE



After door is closed, guardbolt is retracted