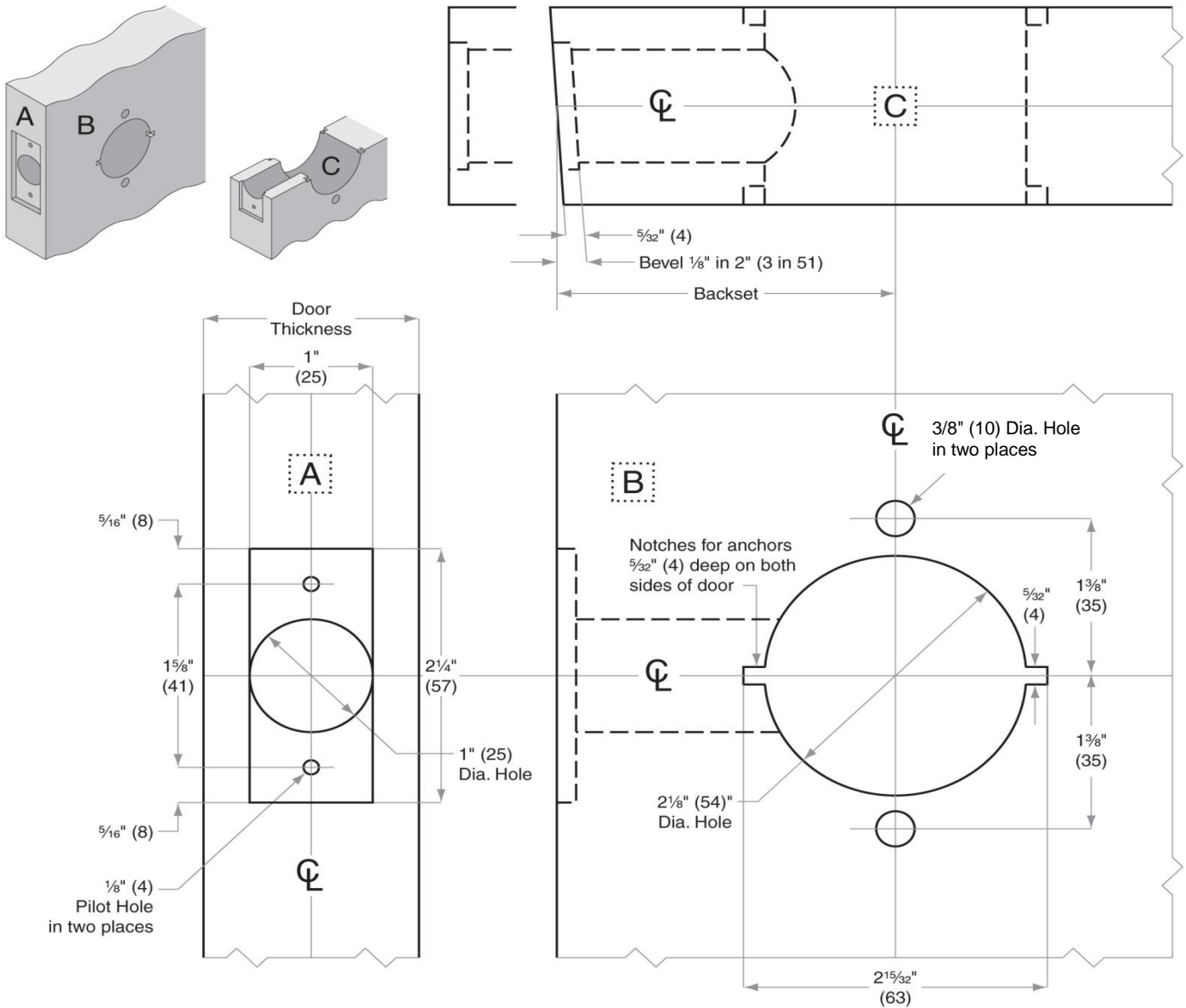




**Design Hardware™**

www.DesignHardware.net



<p><b>Template No.</b> <b>X.238</b></p>	<p align="center"><b>Design Hardware</b></p> <p align="center"><b>X Series Cylindrical Lockset</b></p>	<p align="center"><b>Functions</b></p> <p align="center">75, 76, 82, 84, 86, 87, 90, 110 82IC, 84IC, 87IC, 90IC, 110IC w/ Opt. 2 3/8" backset</p>
---	--	---