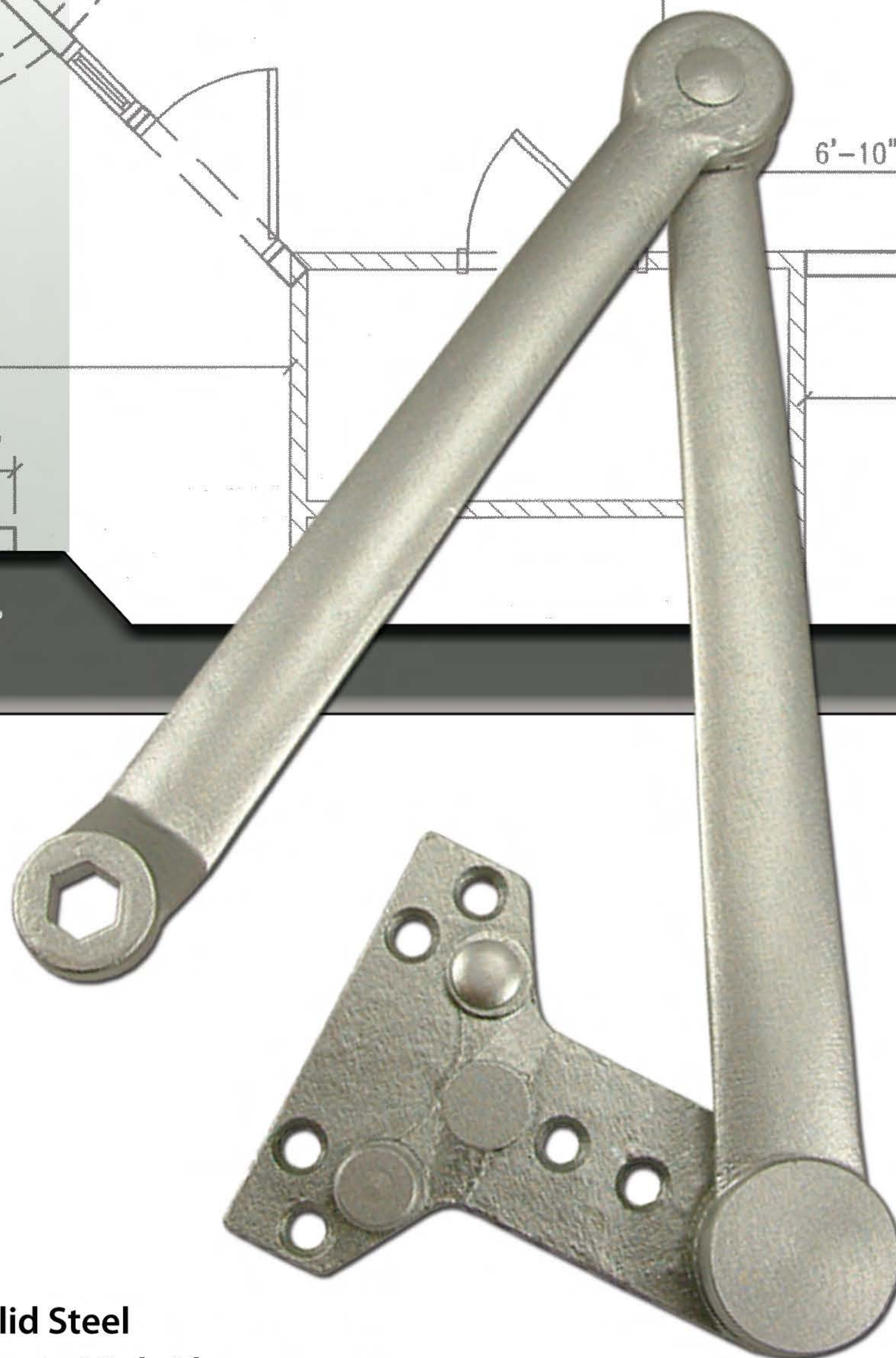


116 Heavy Duty Arm

Specifications



- Base Material :** Forged Solid Steel
Application : Ideal for use in High Abuse areas
Controls : Removable Auxiliary Stop
Handing : Non Handed
Mounting : Parallel Arm only
Finishes : AL, BZ painted finishes
Accessories : Fifth Hole Spacer included for shoe support
& Blade Stop Spacer also available
Fasteners : Machine, Wood and Self Tapping machine screws
Warranty : Limited Lifetime Warranty