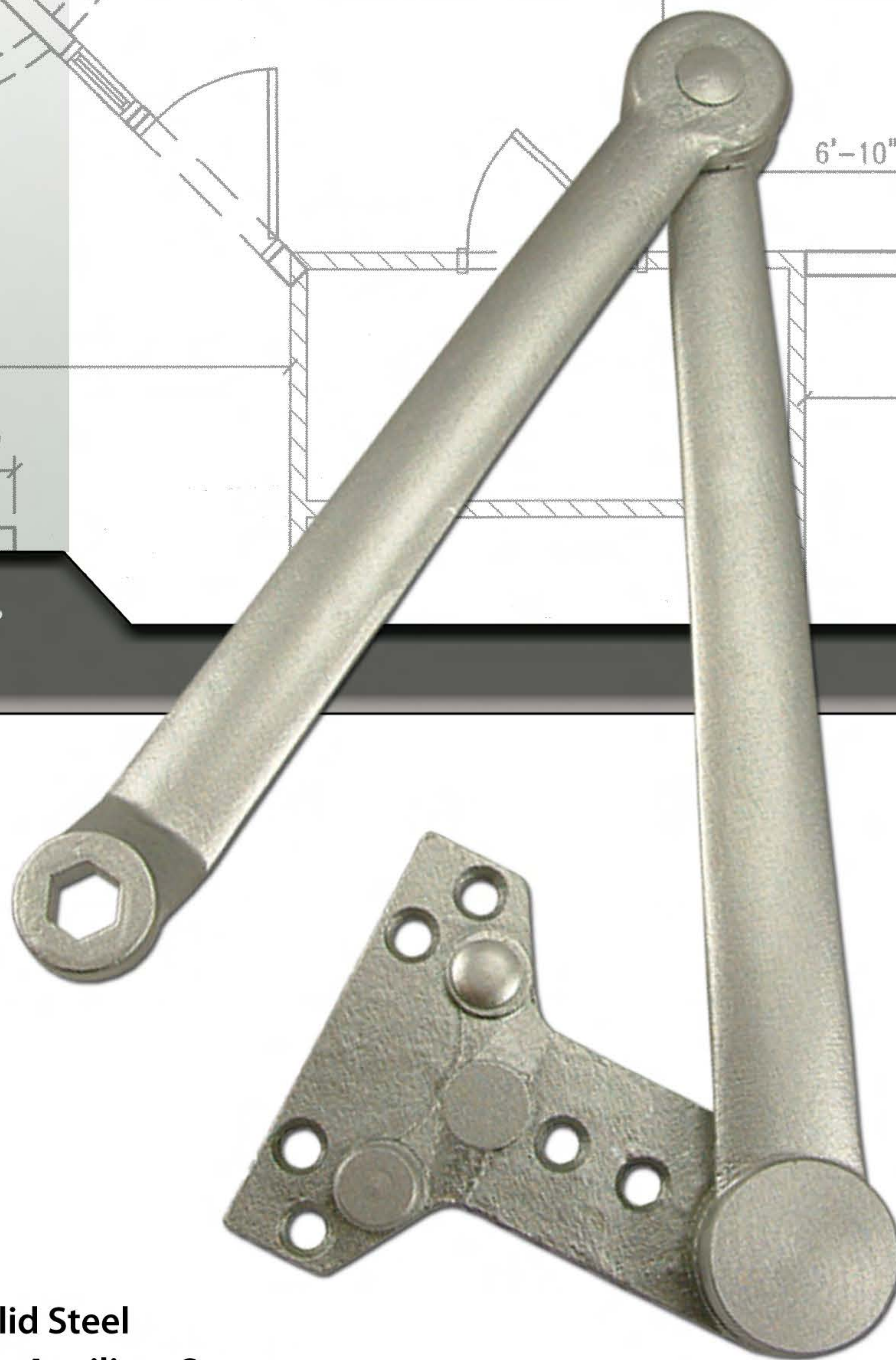


316 Heavy Duty Arm

Specifications



- Base Material :** Forged Solid Steel
- Controls :** Removable Auxiliary Stop
- Handing :** Non Handed
- Mounting :** Parallel Arm only
- Finishes :** AL, BZ, GLD painted finishes
- Duty :** Ideal for High Abuse applications
- Accessories :** Fifth Hole Spacer included for shoe support
& Blade Stop Spacer also available
- Fasteners :** Machine, Wood and Self Tapping machine screws
- Warranty :** Limited Lifetime Warranty