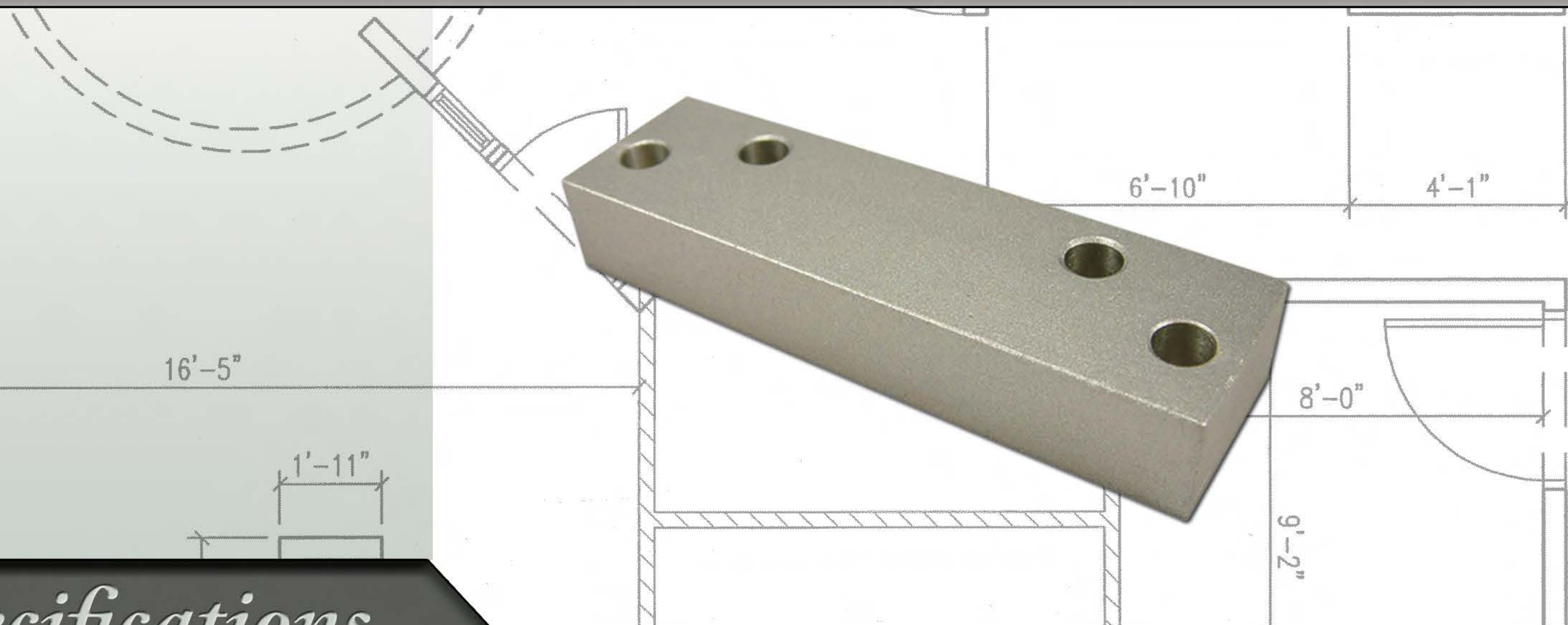


316/116 Blade Stop Spacer



Specifications

Base Material : Aluminum

Size : 3 1/2" length x 1" width x 1/2" thick

Application : Used as a spacer when the door frame has a blade stop and the PA bracket must be mounted on the frame rabbet

Finishes : AL, BZ, GLD painted finishes

Fasteners : Machine, Wood, Self Tapping machine screws

Warranty : Limited Lifetime Warranty