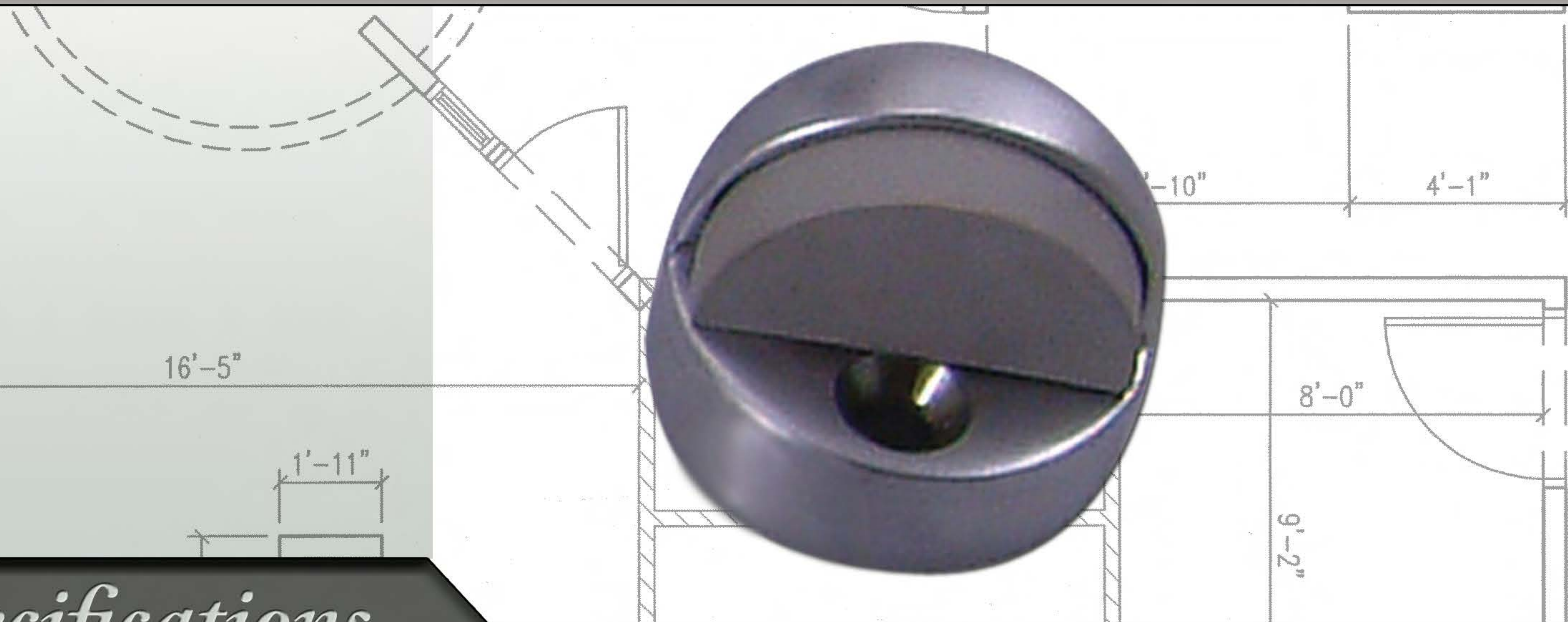


DFS-H Dome Floor Stop (High)



Specifications

- Part Number :** DFS-H Dome Floor Stop (High)
ANSI : ANSI A156.16: L02161
Base Material : Solid Cast Brass
Bumper : Grey Rubber Bumper
Dimensions : 1/2" Thick Base
1 3/4" Diameter
1 1/2" Height
Fasteners : 1 1/2" Wood Screw x Plastic Anchor
1 1/2" Machine Screw & Lead Anchor