

WS-CC Concave Wall Stop



Specifications

- Part Number :** WS-CC Concave Wall Stop
ANSI : ANSI A156.16: L02251
Base Material : Wrought Stainless Steel, Brass or Bronze
Bumper : Concave Grey Rubber Bumper
Mounting : Concealed Mounting
Dimensions : 2 1/2" diameter x 1 3/16" projection
Fasteners : 1 1/2" Wood Screw x Plastic Toggler

WS-CV Convex Wall Stop



Specifications

- Part Number :** WS-CV Convex Wall Stop
ANSI : ANSI A156.16: L02101
Base Material : Wrought Stainless Steel, Brass or Bronze
Bumper : Convex Grey Rubber Bumper
Mounting : Concealed Mounting
Dimensions : 2 1/2" diameter x 1 3/16" projection
Fasteners : 1 1/2" Wood Screw x Plastic Toggler

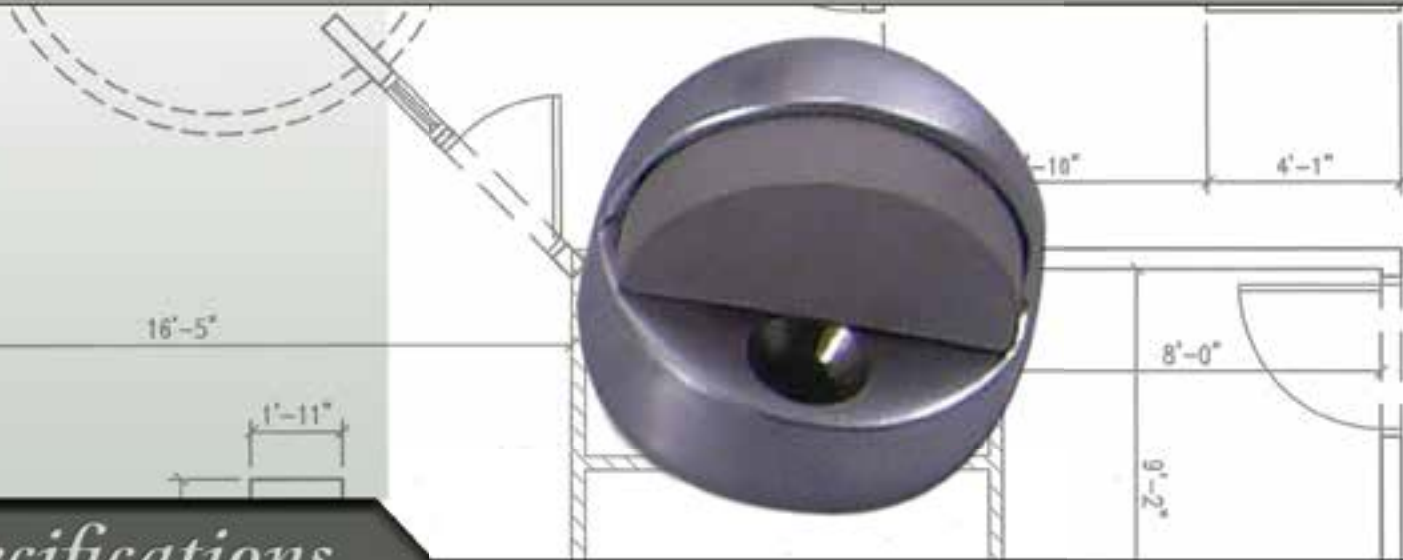
DFS-L Dome Floor Stop (Low)



Specifications

- Part Number :** DFS-L Dome Floor Stop (Low)
ANSI : ANSI A156.16: L02141
Base Material : Solid Cast Brass
Bumper : Grey Rubber Bumper
Dimensions : 1/8" Thick Base
1 3/4" Diameter
1 1/8" Height
Fasteners : 1 1/2" Wood Screw x Plastic Anchor
1 1/2" Machine Screw & Lead Anchor

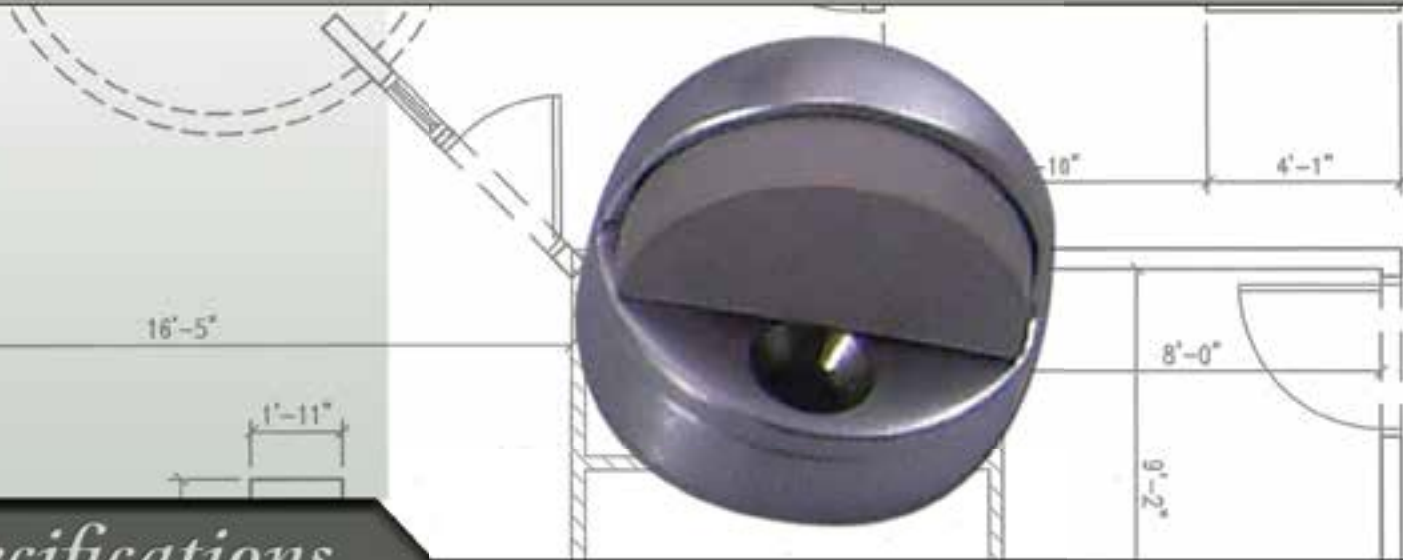
DFS-H Dome Floor Stop (High)



Specifications

- Part Number :** DFS-H Dome Floor Stop (High)
ANSI : ANSI A156.16: L02161
- Base Material :** Solid Cast Brass
Bumper : Grey Rubber Bumper
- Dimensions:** 1/2" Thick Base
1 3/4" Diameter
1 1/2" Height
- Fasteners :** 1 1/2" Wood Screw x Plastic Anchor
1 1/2" Machine Screw & Lead Anchor

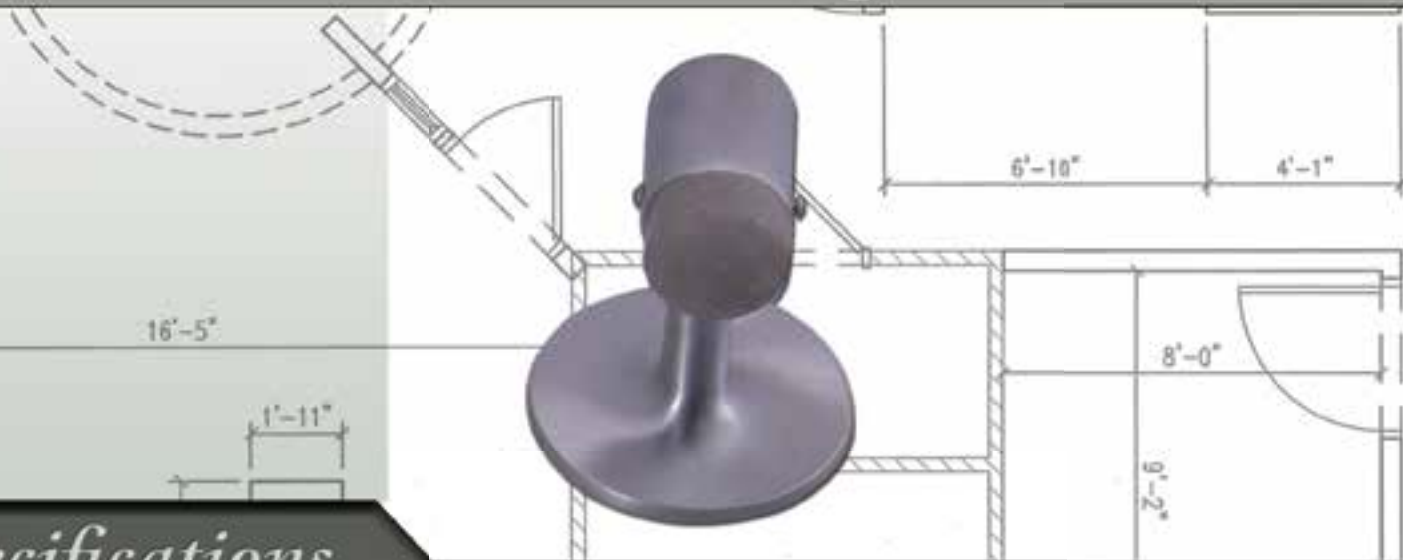
DFS-WR Dome Floor Stop (w/ Riser)



Specifications

- Part Number :** DFS-WR Dome Floor Stop (w/ Riser)
ANSI : ANSI A156.16: L02161 / L02141
- Base Material :** Solid Cast Brass
- Accessory :** 3/8" Riser included for high profile
- Bumper :** Grey Rubber Bumper
- Dimensions :** 1/8" Thick Base with 3/8" riser
1 3/4" Diameter
1 1/8" Height without riser
1 1/2" Height with riser
- Fasteners :** 1 1/2" Wood Screw x Plastic Anchor
1 1/2" Machine Screw & Lead Anchor

FS-1 Floor Stop



Specifications

- Part Number :** FS-1 Floor Stop
- ANSI :** ANSI A156.16 : L02121
- Base Material :** Solid Cast Brass
- Bumper Material :** Grey Rubber
- Base Dimension :** 2 1/2" Diameter
- Height :** 3 5/8" Overall
- Fasteners :** 1/4" x 1 1/2" Stud x Lead anchor
12 x 1 3/8" Flat head wood screw x Plastic anchor

FS-1-WH Floor Stop w/ Holder



Specifications

- Part Number :** FS-1-WH Floor Stop with Holder
ANSI : ANSI A156.16 : L01371
Base Material : Solid Cast Brass
Bumper Material : Grey Rubber
Base Dimension : 2 1/2" Diameter
Height : 3 5/8" Overall
Stop Fasteners : 1/4" x 1 1/2" Stud x Lead anchor
12 x 1 3/8" Flat head wood screw x Plastic anchor
Included Component : Door Holder - Hook on stop hooks into holder to hold door open
Holder Size : 15/16" width x 7/8" height
Holder Fasteners : (2) # 12 x 1 3/8" Flat head wood screw x (2) Plastic anchors

KDS-B Kick Down Stop (Brass)



Specifications

Part Number : KDS-B Kick Down Stop (Brass)

ANSI : ANSI A156.16: L01382

Base Material : Solid Cast Brass

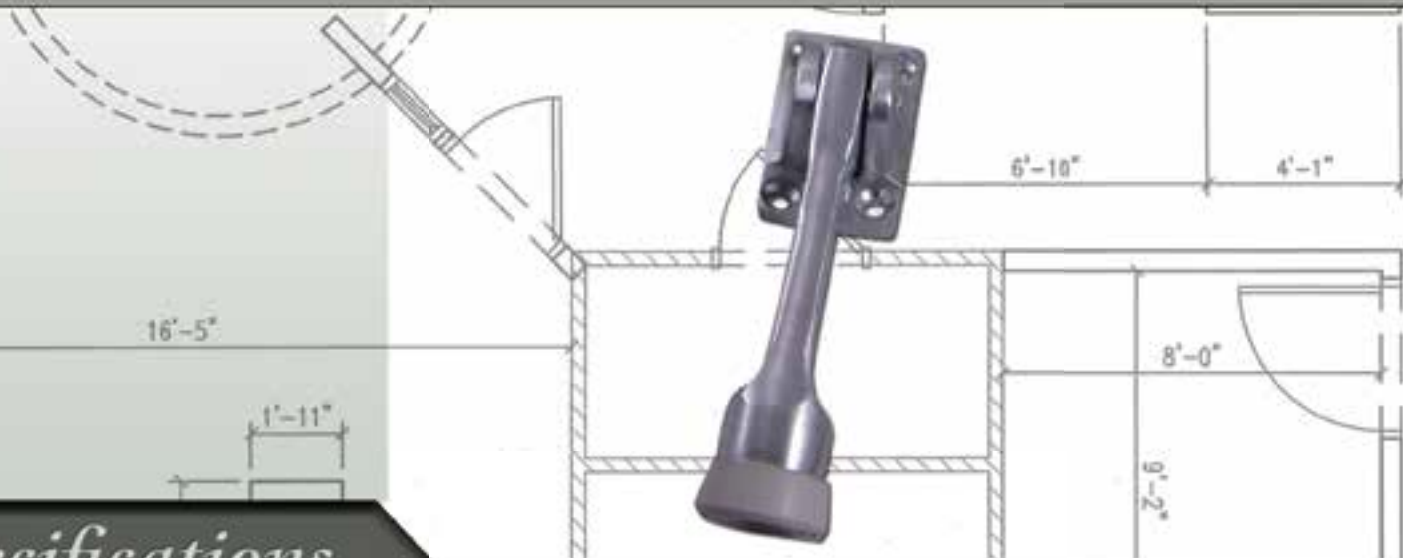
Bumper : Grey Rubber Bumper

Dimensions : 2" x 1 5/16" base

4" Projection

Fasteners : (4) 1" Sheet metal screws

KDS-A Kick Down Stop (Aluminum)



Specifications

Part Number : KDS-A Kick Down Stop (Aluminum)

ANSI : ANSI A156.16: L01382

Base Material : Solid Cast Aluminum

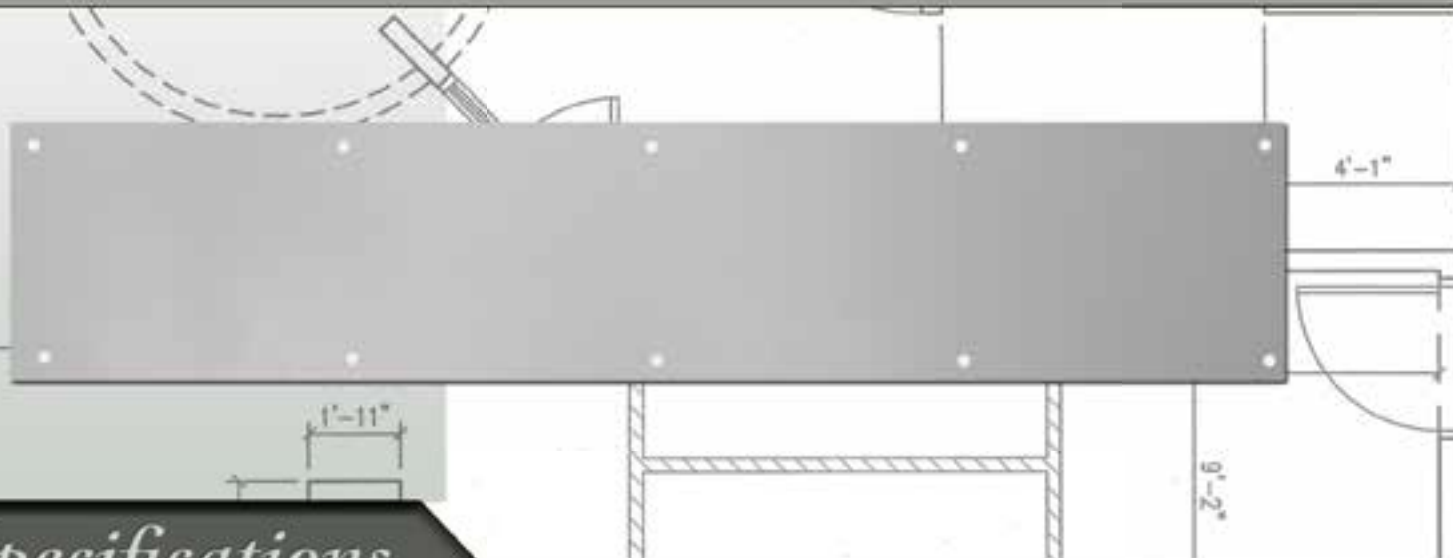
Bumper : Grey Rubber Bumper

Dimensions : 2" x 1 5/16" base

4" Projection

Fasteners : (4) 1" Sheet metal screws

KP050 Kick Plates



Specifications

Part Number : KP050-Height x Width x B4E x Finish

ANSI : ANSI A156.16 : J102

Material : Stainless Steel, Brass or Bronze

Size : 8" x 34"

8" x 40"

8" x 46"

10" x 34"

10" x 40"

10" x 46"

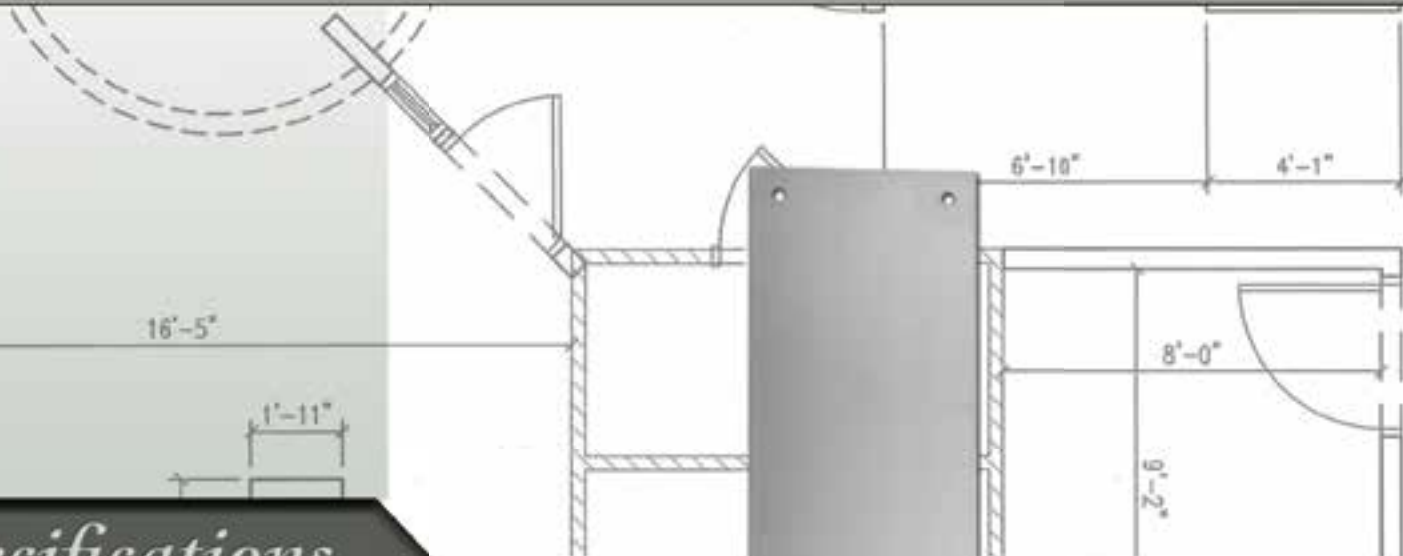
Other sizes available, contact factory for availability

Thickness : .050"

Edges : 4 Beveled edges

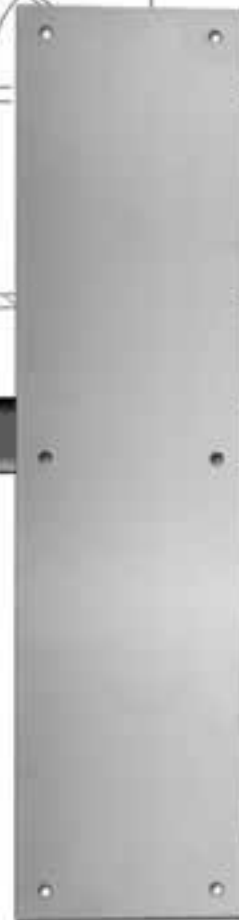
Fasteners : 1/2" Sheet metal screws

PushP-416xB4E Push Plate

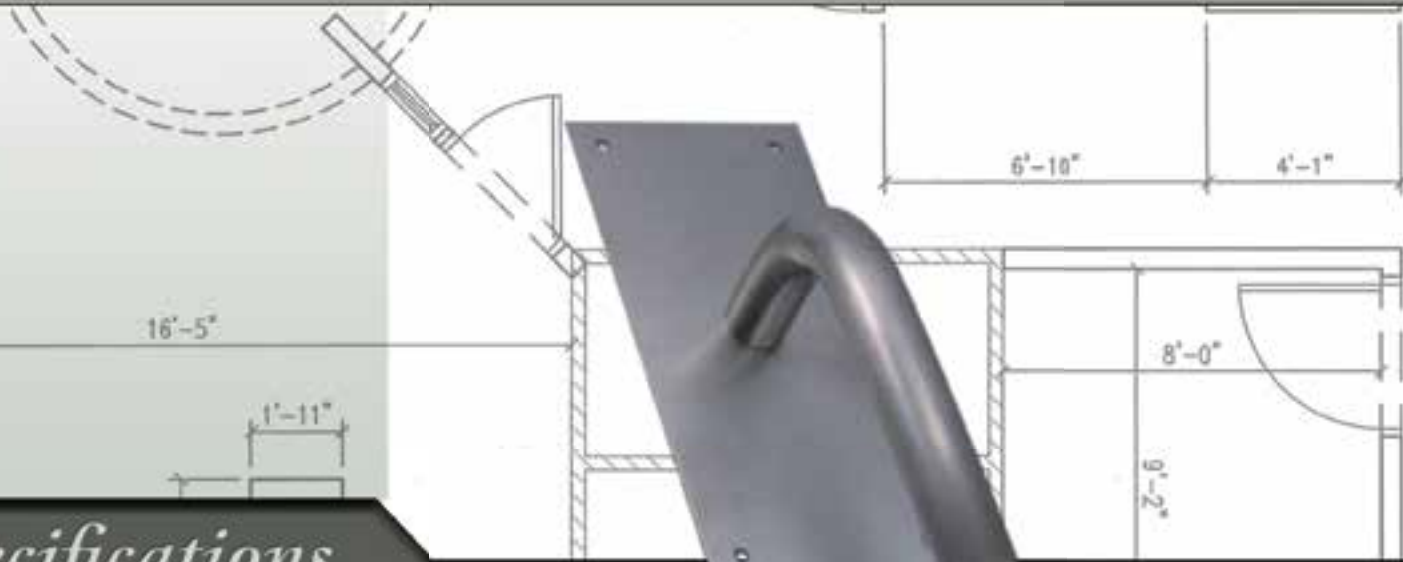


Specifications

- Part Number :** PushP-416xB4E
ANSI : ANSI A156.16 : J301
Material : Stainless Steel, Brass or Bronze
Size : 4" x 16"
Thickness : .050"
Edges : 4 Beveled edges
Options : With Center Holes specify WCH for
back to back mounting with Pull plate
Fasteners : 1/2" Sheet metal screws



PullP-416xB4E Pull Plate

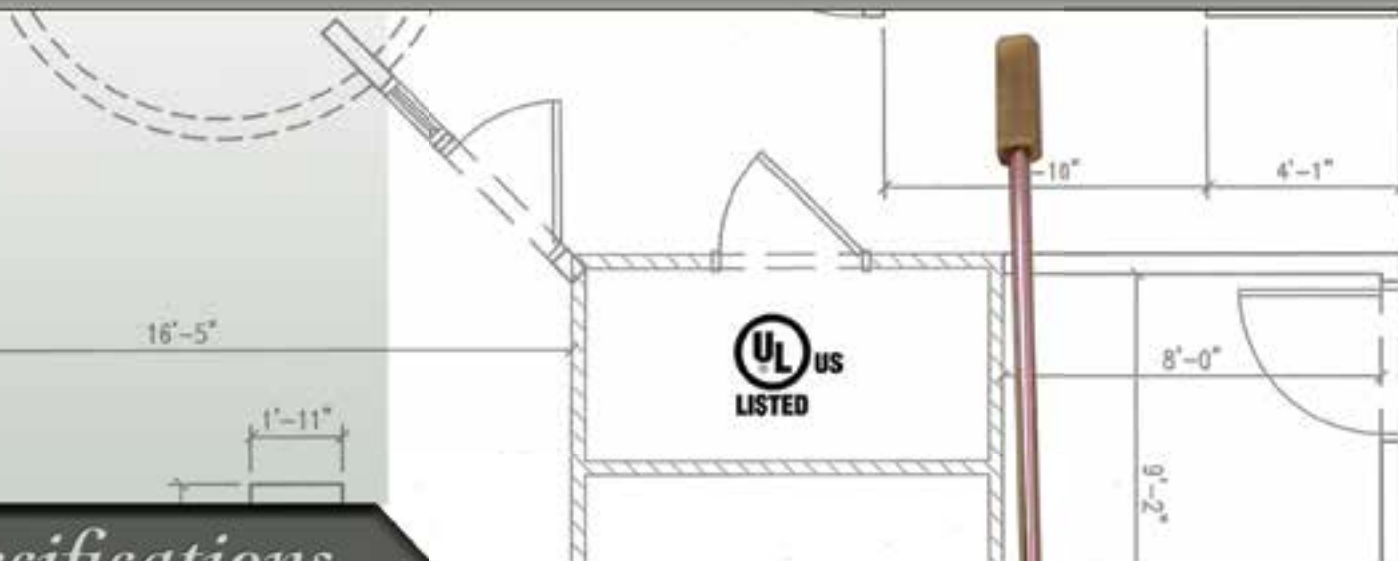


Specifications

- Part Number :** PullP-416xB4E
ANSI : ANSI A156.16 : J405
ADA : Barrier Free 2" clearance
Material : Stainless Steel, Brass or Bronze
Size : 1" Diameter Solid Pull
8" Center to center
4" x 16" Plate
Thickness : .050"
Edges : 4 Beveled edges
Door Thickness : 1 3/4"
Fasteners : 1/2" Sheet metal screws
5/16"-18 x 2 1/4" Thru bolts x 5/16" Finish washer



UL-MFB-M *UL Manual Flush Bolt - Metal Door*



Specifications

- Part Number :** UL-MFB-M UL Manual Flush Bolt - Metal Door
ANSI : ANSI A156.16 : L04251
Fits ANSI A115 Prep
- UL Listing :** UL Listed - 3 Hour Fire Doors up to 4'-0" x 10'-0"
- Base Material :** Cast Brass
- Bolt :** 3/4" Bolt Throw
- Backset :** 3/4" Rod Backset
- Bolt Head :** 1 1/2" Adjustable Bolt Head
- Extension Rods :** Supplied Rod for 7' doors
22" Extension Rod available for 8' door
34" Extension Rod available for 9' door
46" Extension Rod available for 10' door
- Face Dimensions :** 1" x 6 3/4" Face Plate
- Strike :** 15/16" x 2 1/4" Strike
- Guide Dimension :** 1" x 2" Guide
- Fasteners :** 8 ea. # 8 x 3/4 Flat head combination screws
- Note :** Use DPS-1 Dust Proof Strike to prevent the bottom strike from being blocked by dirt



UL-MFB-W *UL Manual Flush Bolt - Wood Door*



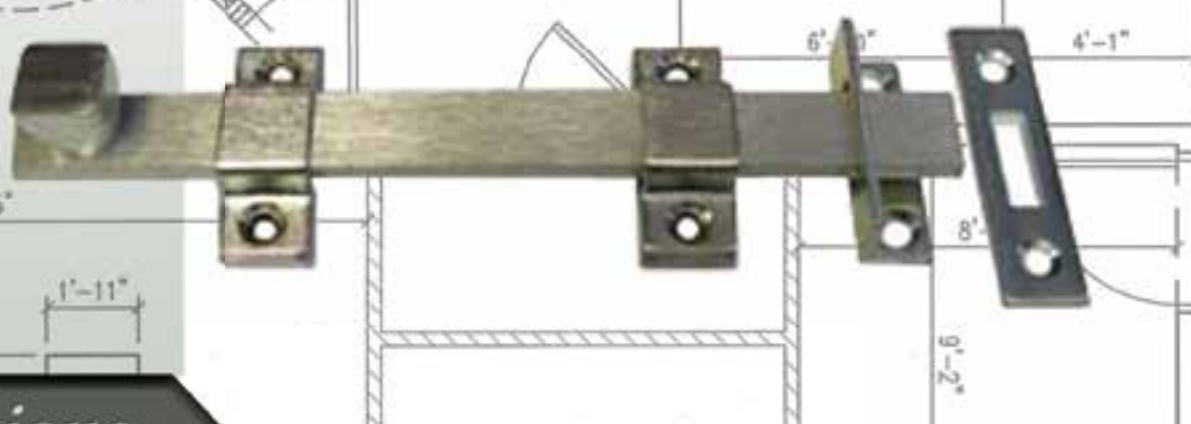
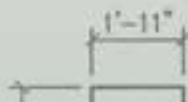
Specifications

- Part Number :** UL-MFB-W UL Manual Flush Bolt - Wood Door
ANSI : ANSI A156.16 : L04261
UL Listing : UL Listed - 90 Minute Fire Doors
Up to 4'-0" x 10'-0"
Base Material : Cast Brass
Bolt : 3/4" Bolt Throw
Backset : 3/4" Rod Backset
Bolt Head : 1 1/2" Adjustable Bolt Head
Face Dimensions : 1" x 6 3/4" Face Plate
Strike : 15/16" x 2 1/4" Strike
Fasteners : 7 ea. #8 x 3/4 Flat Head Combination Screws
4 ea. 8-32 x 1/2 Flat Head Machine Screws
4 ea. #8 Counter Sunk Washer
Note : Use DPS-1 Dust Proof Strike to prevent the bottom strike from being blocked by dirt

UL-SB Surface Bolts



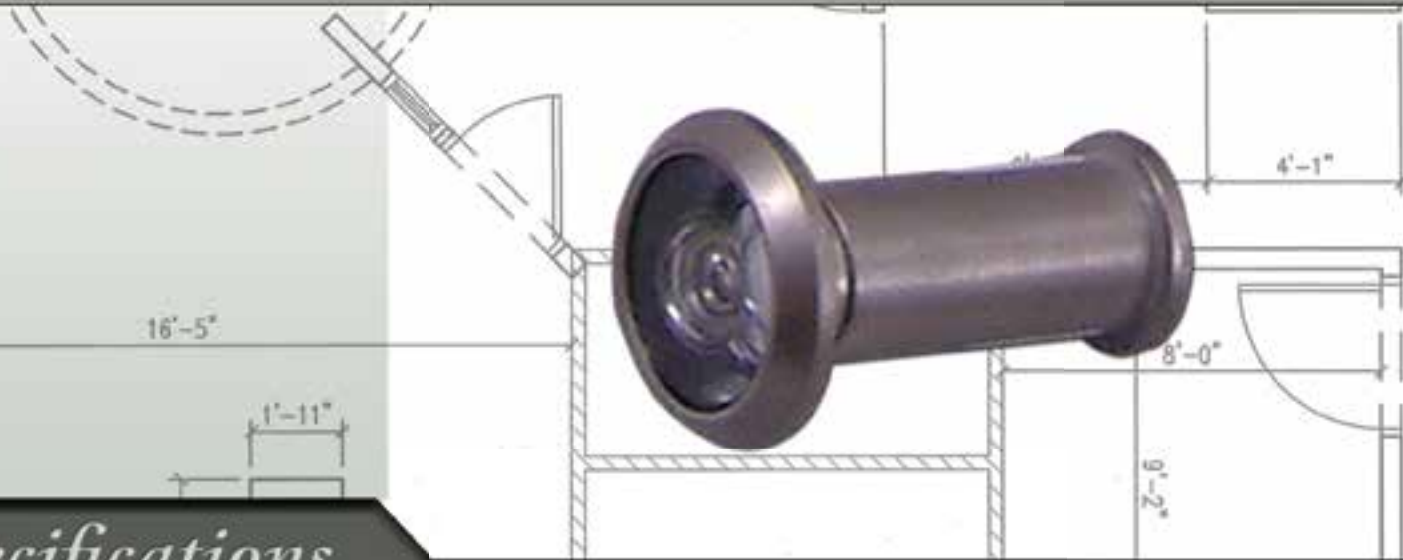
16'-5"



Specifications

- Part Numbers :** UL-SB8 & UL-SB12
ANSI : ANSI A156.16: L04161
UL Listing : UL Listed - 3 Hour Fire Doors up to 4'-0" x 10'-0"
Base Material : Stainless Steel or Steel (plated)
Mounting : Surface Mounting
Dimensions : UL-SB8 = Overall 2" x 8"
UL-SB12 = Overall 2" x 12"
Bolt Size : 3/4" height x 1/4" thick
Bolt Throw : 1 1/8"
Projection : 1 5/16"
Strikes : Universal top strike and mortise bottom strike included
Fasteners : 8 ea. # 10 x 1 1/4" Sheet metal screws
8 ea. # 10-24 Flat head machine screws

UL-DV200 Door Viewer



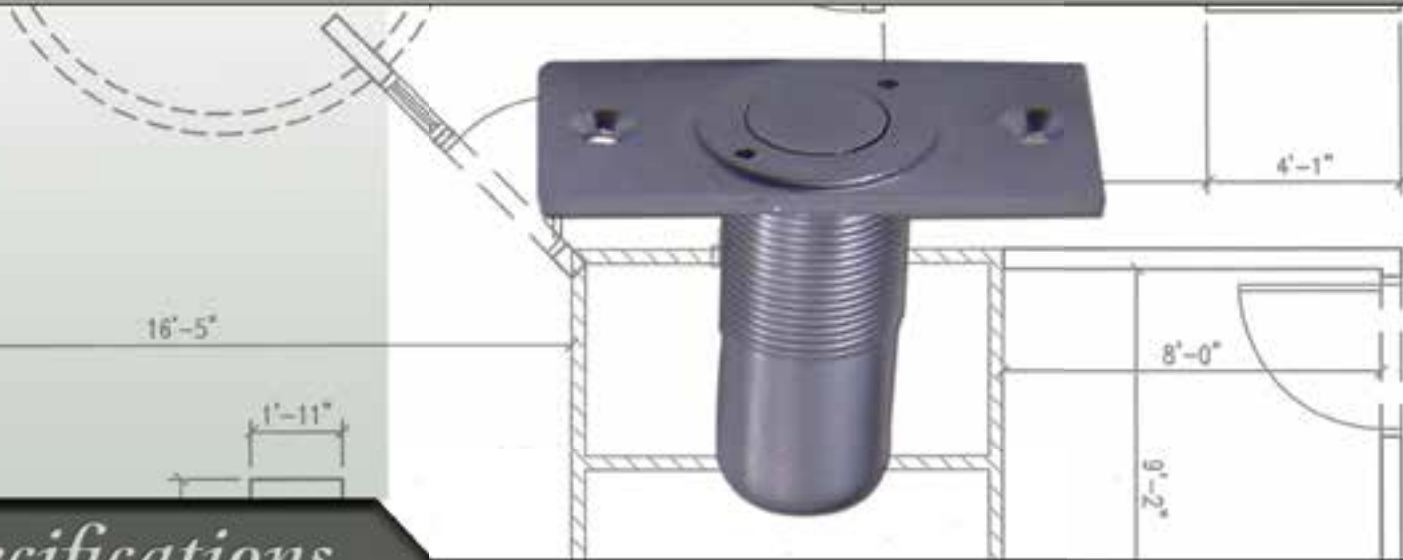
Specifications

- Part Number :** UL-DV200 Door Viewer
ANSI : ANSI A156.16 : L013221, L03172
Base Material : Brass
Certification : UL Listed - 90 minute
Lens : Plastic Wide Angle 200 Degree Lens
Door Thickness : 1 3/8" to 2 1/8"
Door Preparation : Installs In 9/16" hole



211 Endeavor Drive - PO Box 680
Rogersville, MO 65742
PH 877-258-1262 FX 877-888-0150
www.designhardware.net

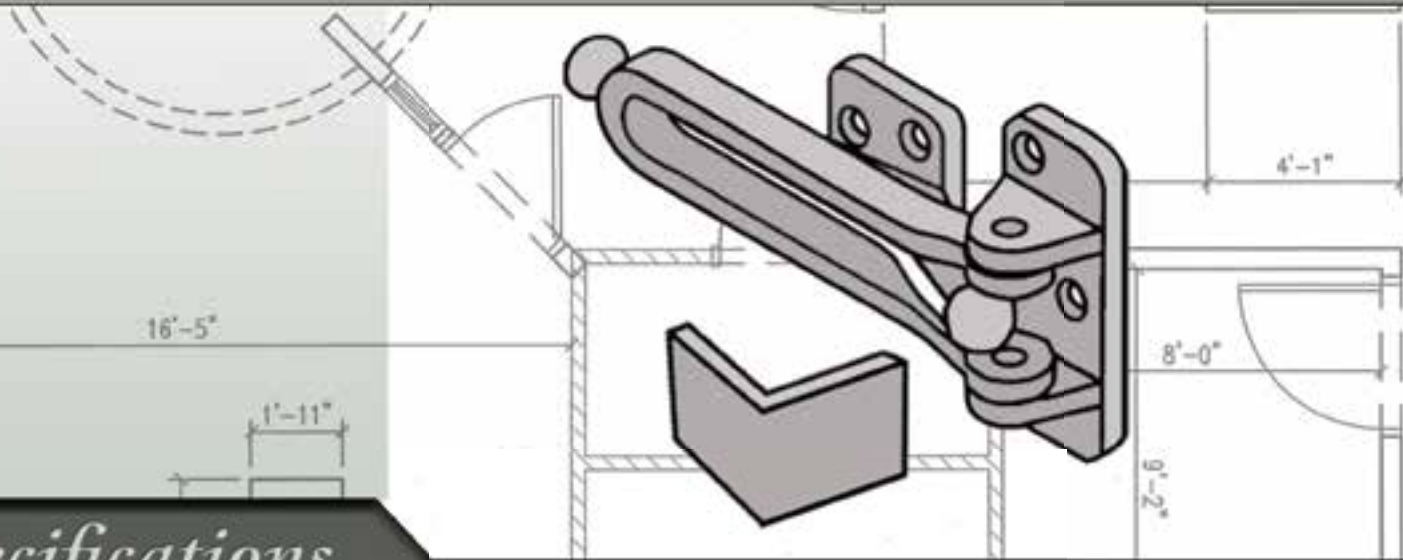
DPS-1 Dust Proof Strike



Specifications

- Part Number :** DPS-1 Dust Proof Strike
ANSI : ANSI A156.16 : L04021
Base Material : Brass
Dimensions : 7/8" Diameter barrel x 2" Depth
Face Plate : 1 3/8" x 2 7/8"
Features : Removable face plate
Adjustable height
Included accessory : Spanner wrench & Adjustable nut

DG-EP Door Guard w/ Edge Protector



Specifications

- Part Number :** DG-EP Door Guard w/ Edge Protector
ANSI : ANSI A156.16: L03041
Base Material : Solid Cast Brass
DG Dimensions: 2 1/2" Height
5 1/8" Length
EP Dimensions : 1/2" Height
1" Width
Fasteners : 3 ea. #6 x 1 1/2" Oval head sheet metal screws for body
4 ea. #6 x 3/4" Oval head sheet metal screws for strike