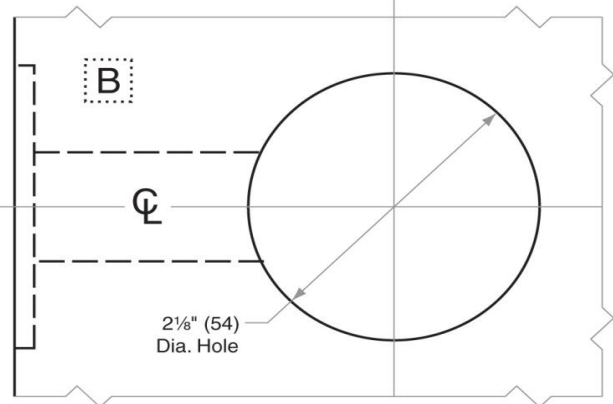
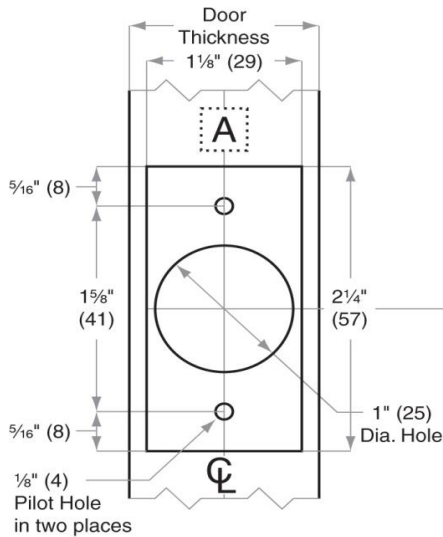
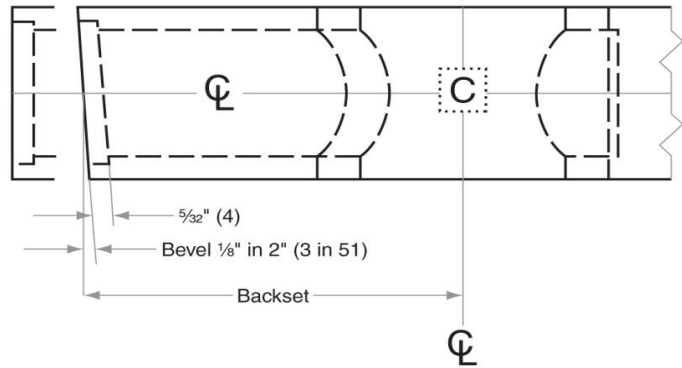
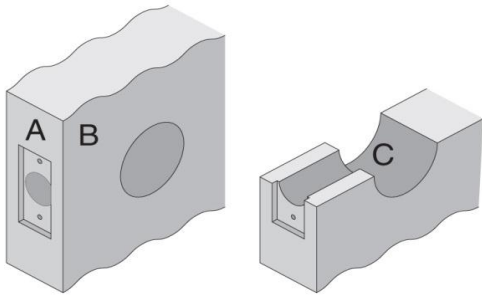




Design Hardware™

www.DesignHardware.net



|   |  |   |
|---|--|---|
| <p><b>Template No.</b><br/><b>D.234</b></p> | <p><b>Design Hardware</b></p> <p><b>D1 &amp; D2 Series Deadbolts</b></p> | <p><b>Functions</b><br/><b>All Functions</b></p> <p><b>w/ Std. 2 3/4" Latch</b></p> |
|---|--|---|