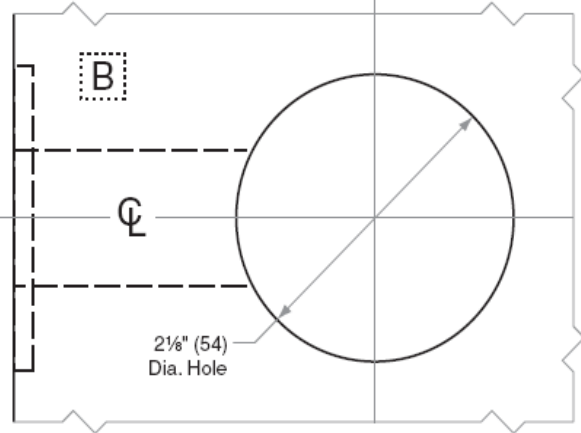
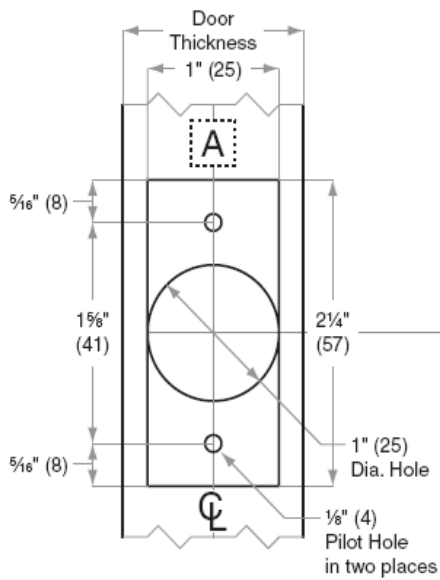
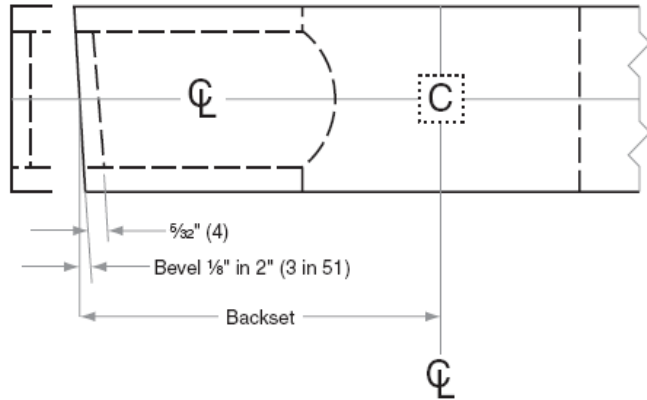
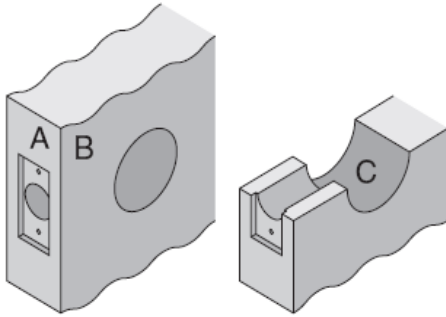


Design Hardware



<p>Template No. D-021209</p>	<p align="center">Design Hardware</p> <p align="center">D1 & D2 Series Deadbolts</p>	<p align="center">Functions</p> <p align="center">Single & Double Cyl. w/ 2 3/8" Latch</p>
--	--	---