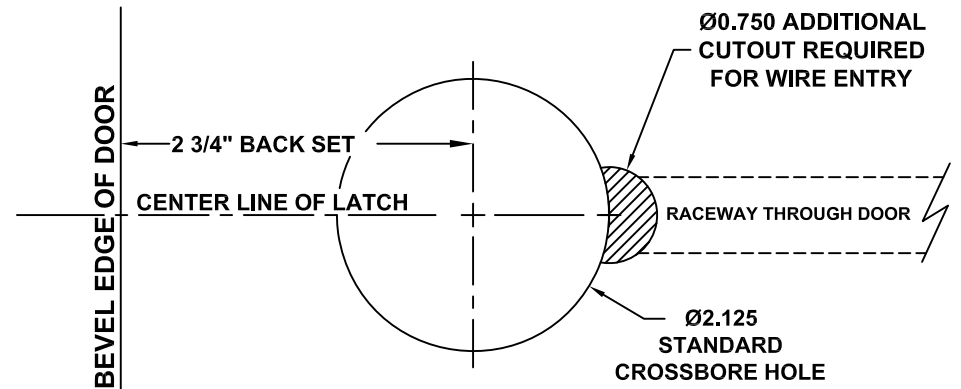
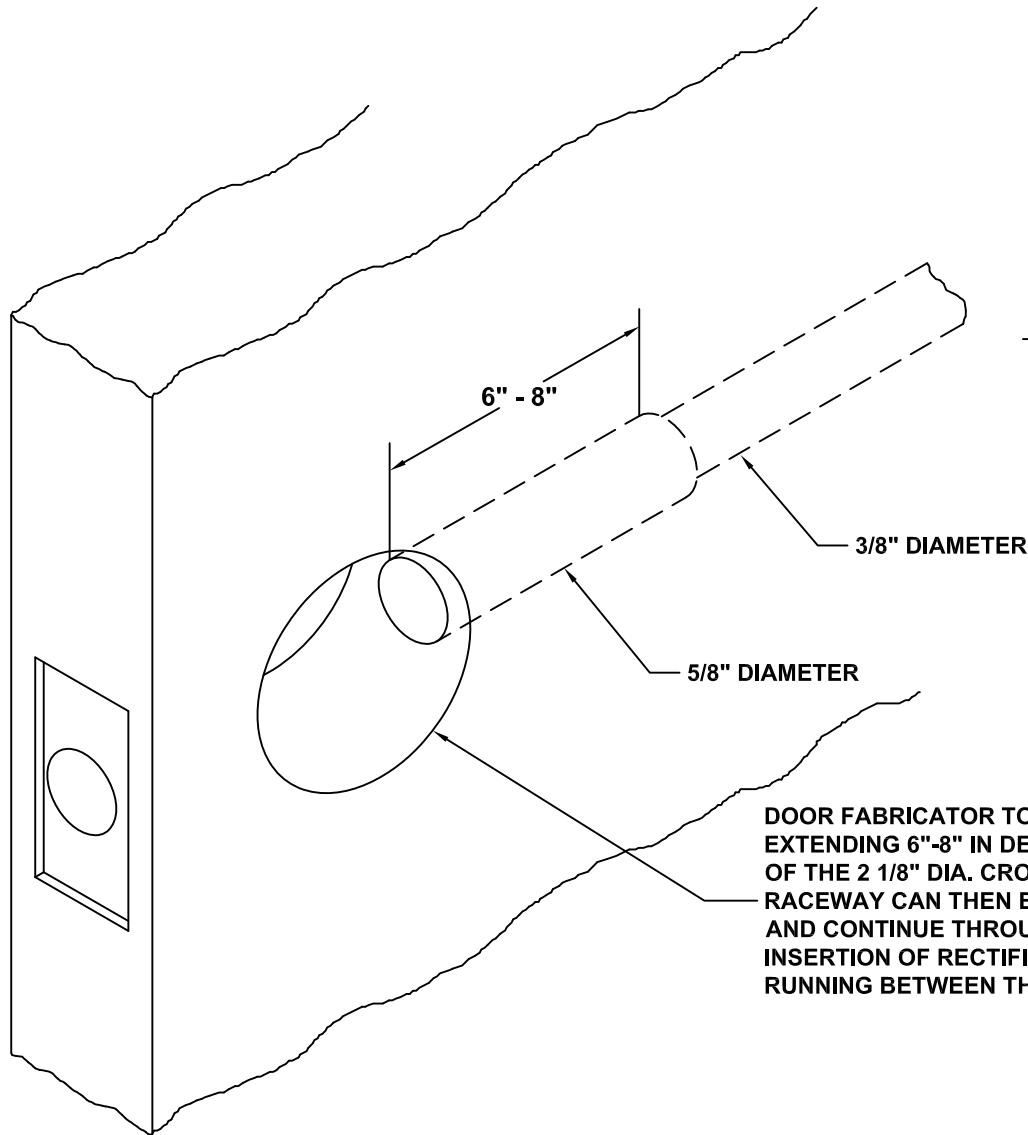


CYLINDRICAL TEMPLATE

FOR USE WITH Z SERIES FSF (FAIL SAFE) AND
FSE (FAIL SECURE) ELECTRIFIED CYLINDRICAL LOCKS



PROVIDE ADDITIONAL CUTOUT FOR WIRE ENTRY
ACCESS TO RACEWAY THROUGH DOOR.

DOOR FABRICATOR TO PROVIDE A 5/8" DIA. HOLE
EXTENDING 6"-8" IN DEPTH FROM THE BACK EDGE
OF THE 2 1/8" DIA. CROSS BORE HOLE.
RACEWAY CAN THEN BE REDUCED TO 3/8" DIA.
AND CONTINUE THROUGH THE DOOR TO ALLOW
INSERTION OF RECTIFIER MODULE AND WIRES
RUNNING BETWEEN THE LOCK AND ELECTRIC HINGE.

NOTES: 1.) USE STANDARD LOCK TEMPLATING FOR
DOOR PREPARATION. PROVIDE ADDITIONAL PREP
AS SHOWN FOR ELECTRIC LOCK MODIFICATIONS
FOR MODELS FSF AND FSE.