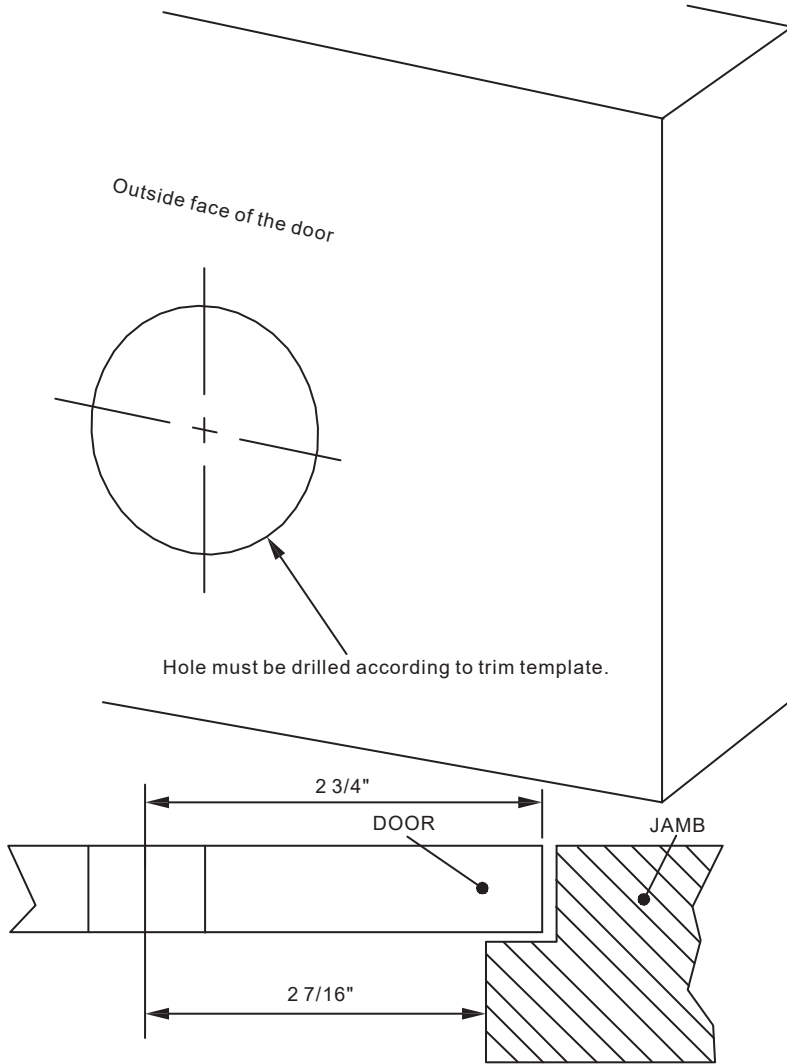
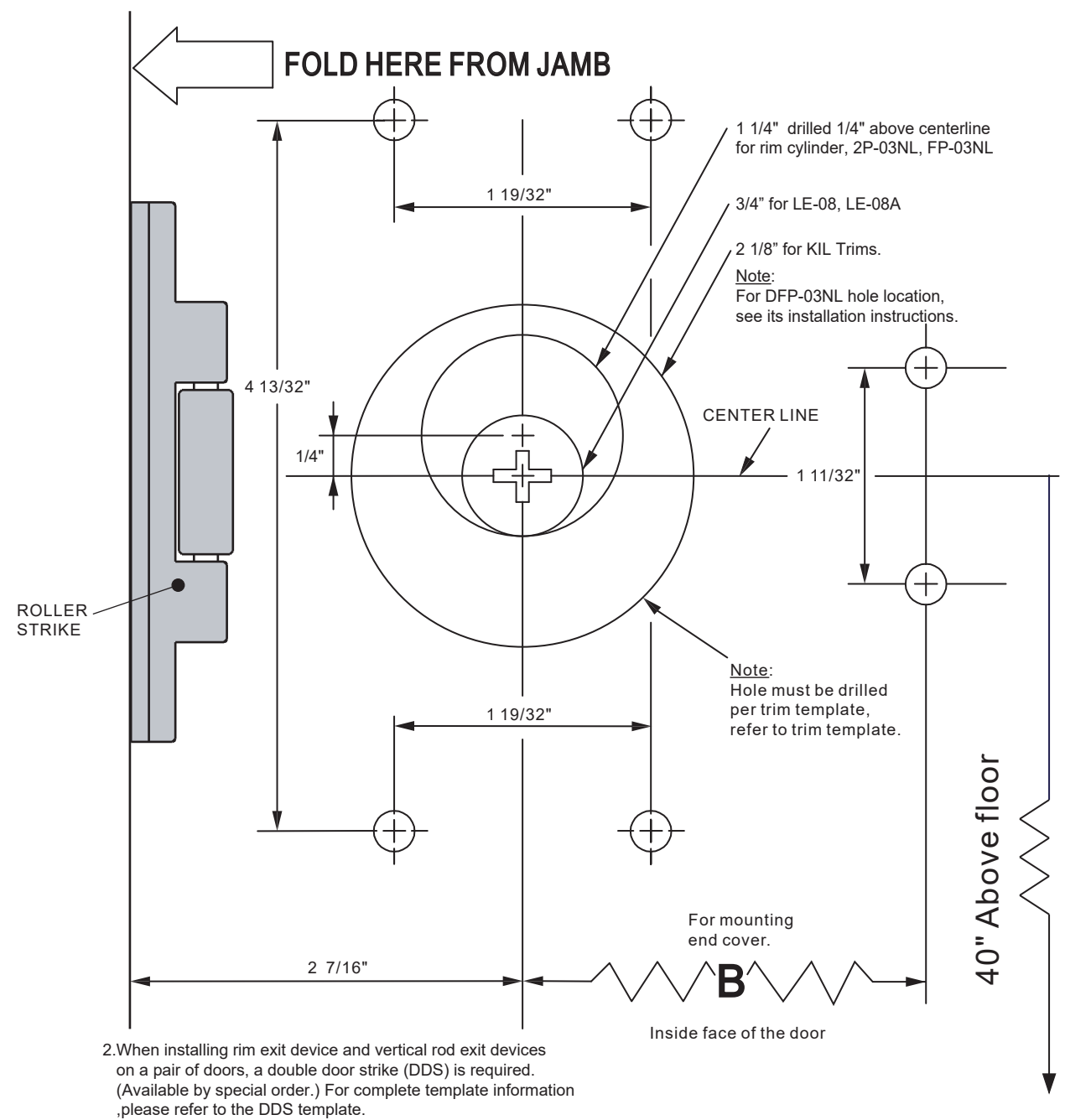


# TEMPLATE FOR INSTALLING RIM EXIT DEVICE



NOTE:  
 1. Backset of 2 7/16" from jamb to center or 2 3/4" from door edge to center is acceptable. Strike shim can be used or not used to make adjustments to the roller strikes projection to compensate for doors with different backsets.



2. When installing rim exit device and vertical rod exit devices on a pair of doors, a double door strike (DDS) is required. (Available by special order.) For complete template information, please refer to the DDS template.

(A) For 1000R series (UL Listed)-Drill & tap for (6) 1/4"x20 machine screws for exit device and drill & tap for (3) 1/4"x20 machine screws for roller strike  
 Optional for 1000R (UL Listed) :  
 Drill (6) 3/16" pilot holes for self tapping machine screws or wood screws for exit device and  
 Drill (3) 3/16" pilot holes for self tapping machine screws or wood screws for roller strike

(B) For F1000R (Fire Rated)-Drill 9/32" holes inside and 3/8" holes outside for the (6) thru bolts and drill & tap for (3) 1/4"x20 machine screws for roller strike.