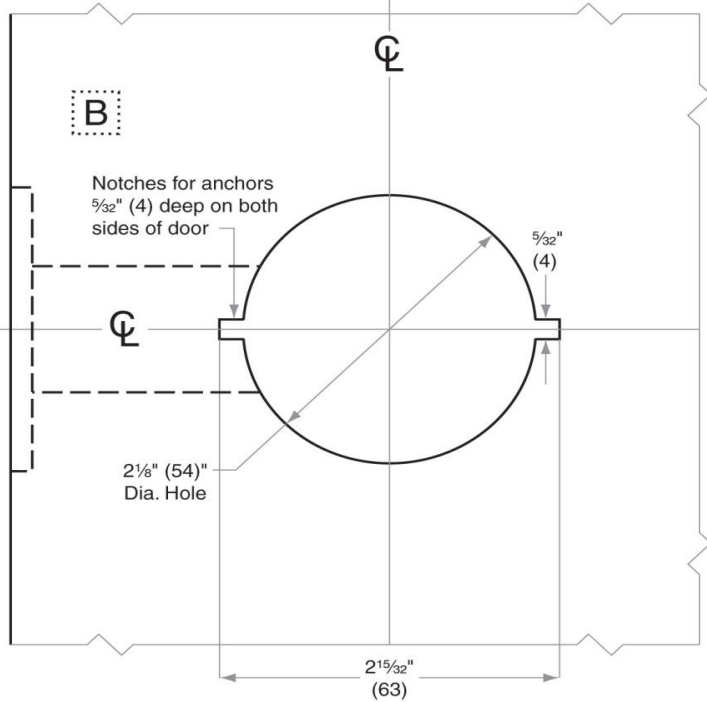
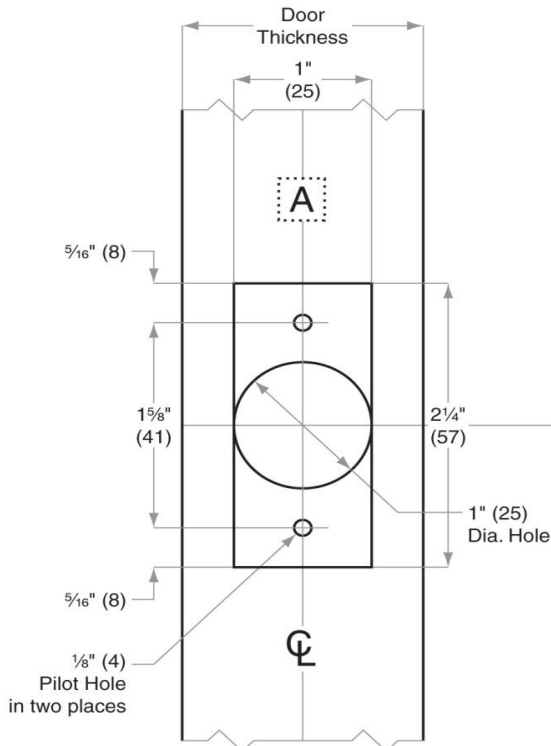
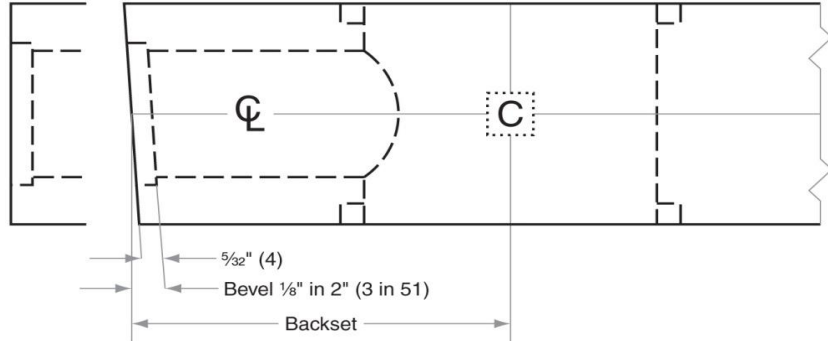
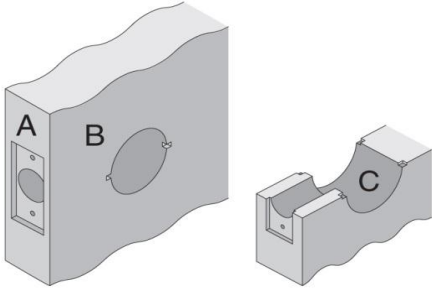




Design Hardware™

www.DesignHardware.net



<p><b>Template No.</b> <b>K2.238</b></p>	<p align="center"><b>Design Hardware</b></p> <p align="center">K2 Series Cylindrical Lockset</p>	<p align="center"><b>Functions</b> 75, 76, 82, 84, 86 w/ Opt. 2 3/8" Latch</p>
--	--	--