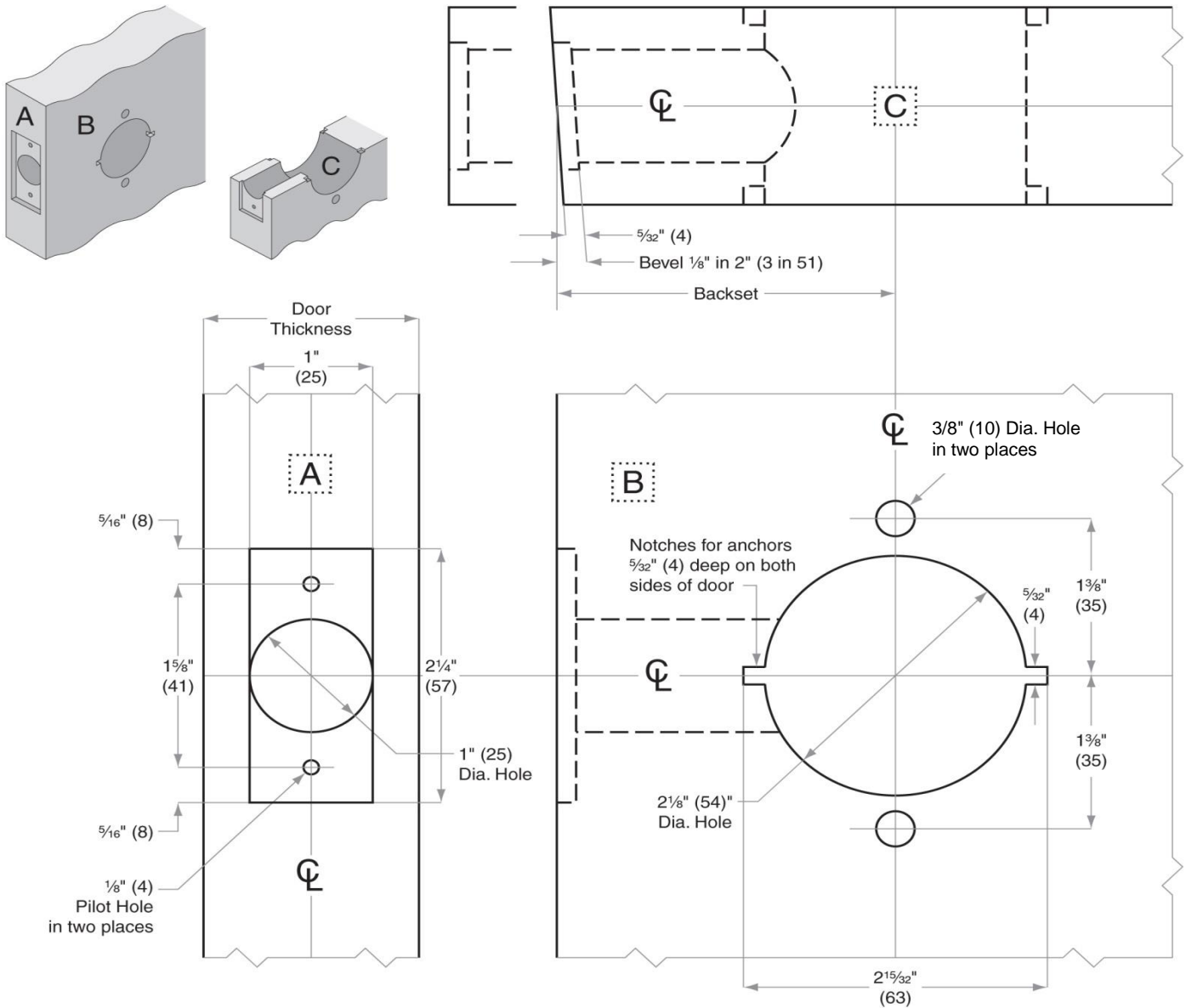




Design Hardware™

www.DesignHardware.net



<p>Template No. X.238</p>	<p align="center">Design Hardware</p> <p align="center">X Series Cylindrical Lockset</p>	<p align="center">Functions</p> <p align="center">61, 75, 76, 82, 84, 86, 87, 90, 110 82IC, 84IC, 86IC 87IC, 90IC, 110IC w/ Opt. 2 3/8" backset</p>
---	--	--