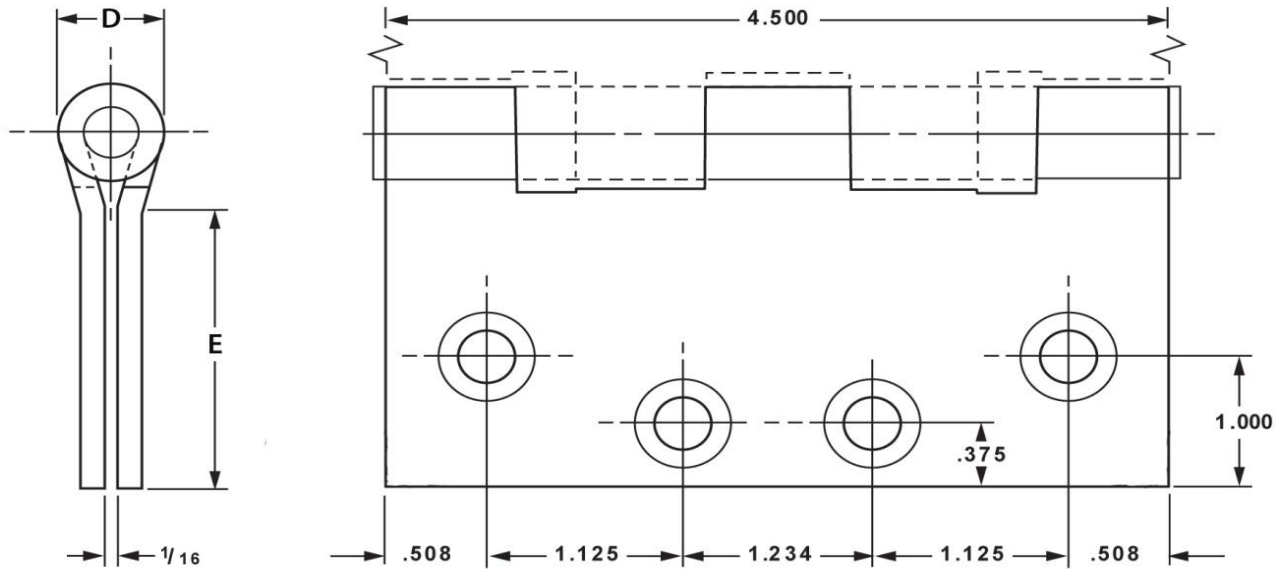


FULL MORTISE TEMPLATE BUTT HINGES - 4 1/2" x 4 1/2"



DO NOT SCALE

Template # : BB5-SW.45 / BB5-HW.45 / SH.45

Hinge Number	Gauge of Metal	(D) Outside Diameter	Distance From Edge of Leaf to Swage Line (E)
Type 5 - 4 1/2" x 4 1/2"	0.134	0.605	1 29/32
BB5 - 4 1/2" x 4 1/2"	0.134	0.625	1 25/32
Spring 4 1/2" x 4 1/2"	0.134		1 25/32
BB5-HW - 4 1/2" x 4 1/2"	0.180	0.698	1 23/32

Machine Screw Size - 1/2" x 12-24 F.H.
Wood Screw Size - 1 1/4" x No. 12 F.H.

This template conforms with ANSI standard A156.7



Design Hardware

211 Endeavor Drive Ph. 877-258-1262
Rogersville, MO 65742 Fax 877-888-0150
www.designhardware.net