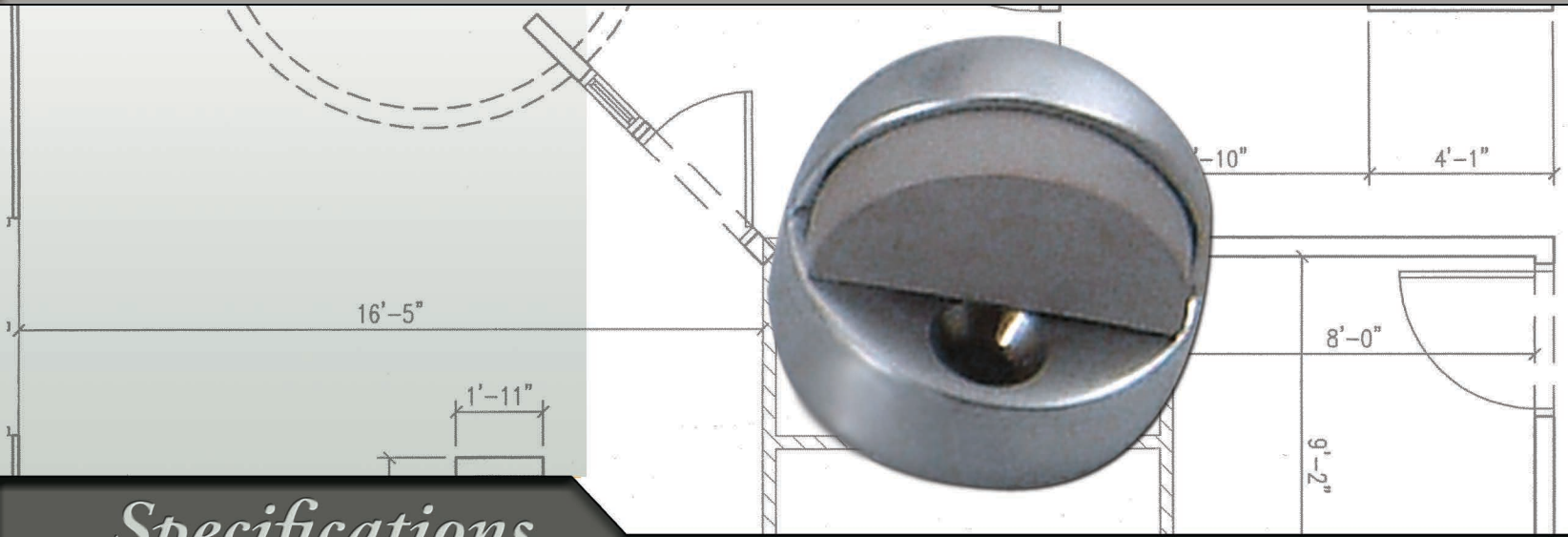


DFS-H Dome Floor Stop (High)



Specifications

Part Number : DFS-H Dome Floor Stop (High)

ANSI : ANSI A156.16: L02161

Base Material : Solid cast brass

Bumper : Grey Rubber Bumper

Dimensions : 1/2" Thick Base

1 3/4" Diameter

1 1/2" Height

Fasteners : 1 1/2" wood screw x plastic anchor

1 1/2" machine screw & lead anchor