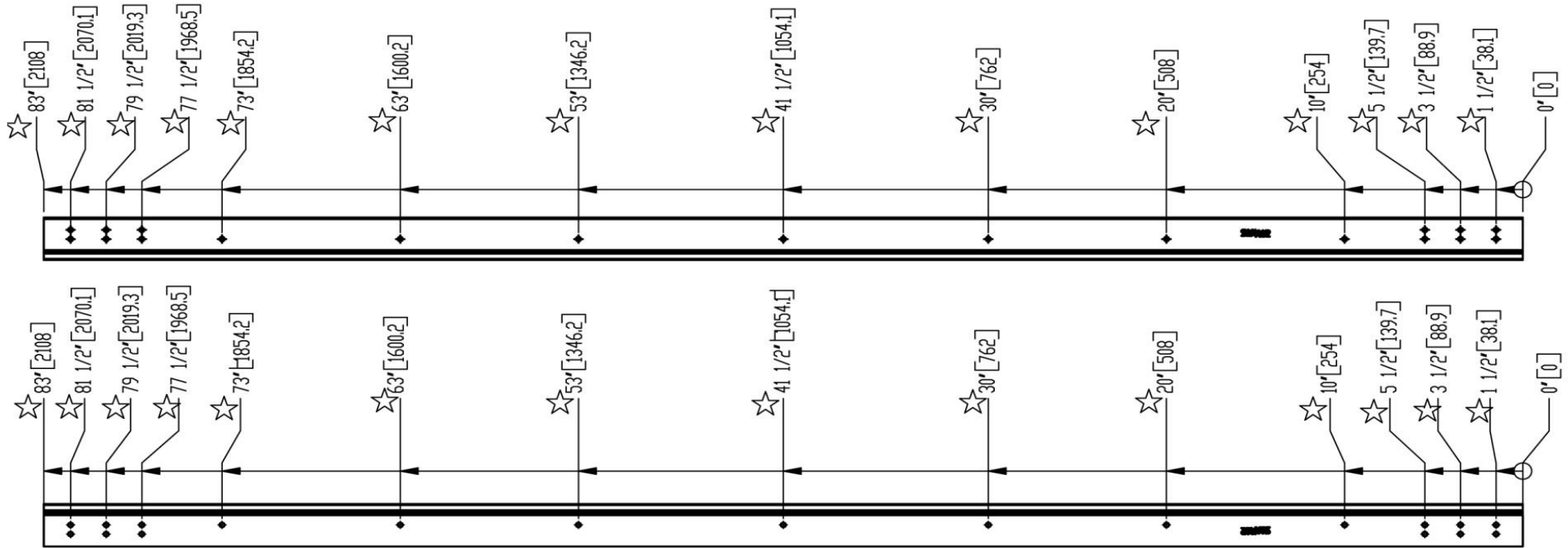


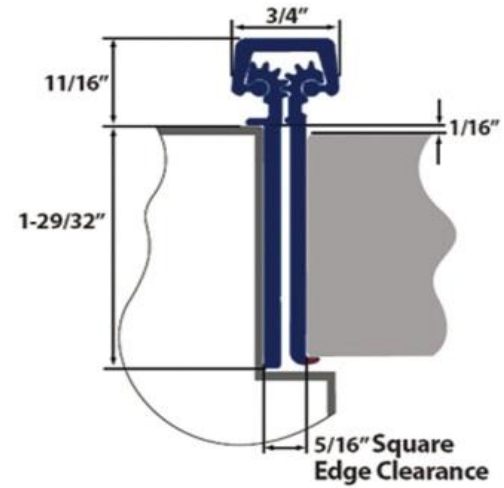
# FMOHD 83" Continuous Gear Hinge

Template # : FMOHD83



DO NOT SCALE

Machine Screw Size - 7/8" x 12-24 F.H. undercut self tapping



**Design Hardware**  
211 Endeavor Drive Ph. 877-258-1262  
Rogersville, MO 65742 Fax 877-888-0150  
www.designhardware.net

