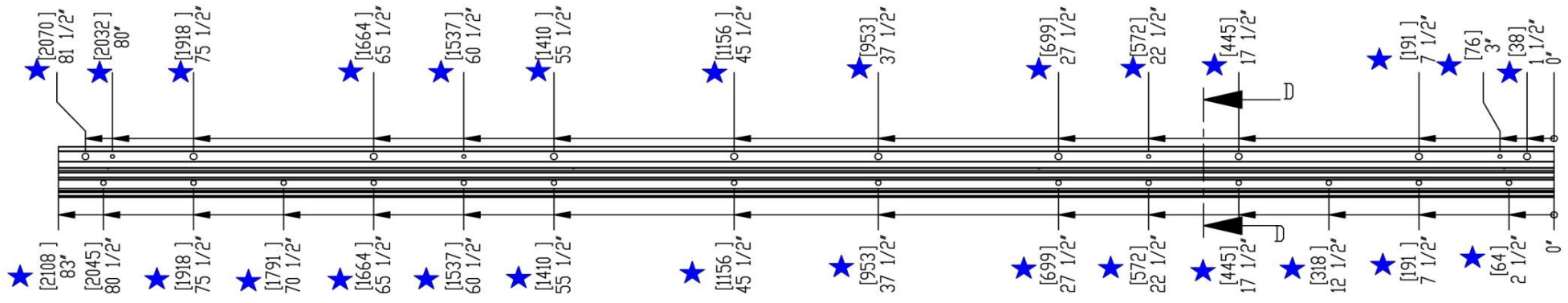


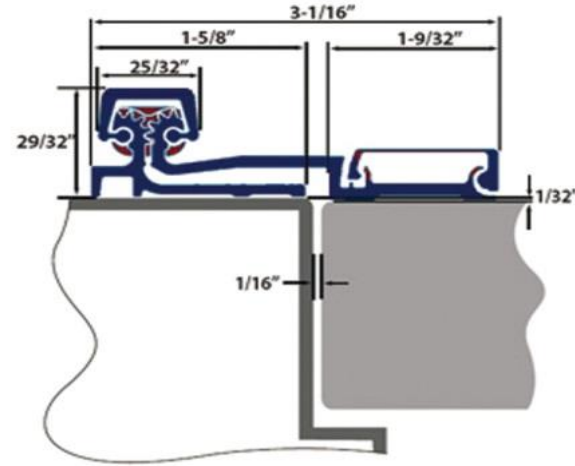
FSOHD 83" Continuous Gear Hinge

Template # : FSOHD83



Machine Screw Size - 7/8" x 12-24 F.H. undercut self tapping

DO NOT SCALE



Design Hardware

211 Endeavor Drive Ph. 877-258-1262
 Rogersville, MO 65742 Fax 877-888-0150
www.designhardware.net

