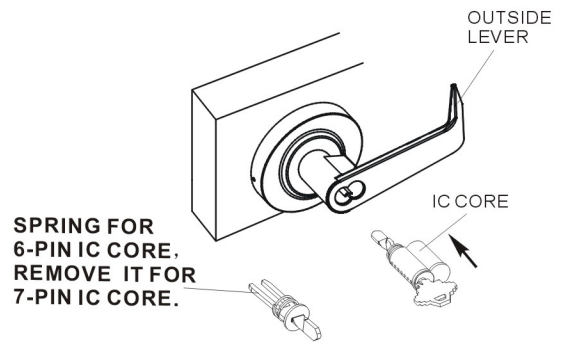
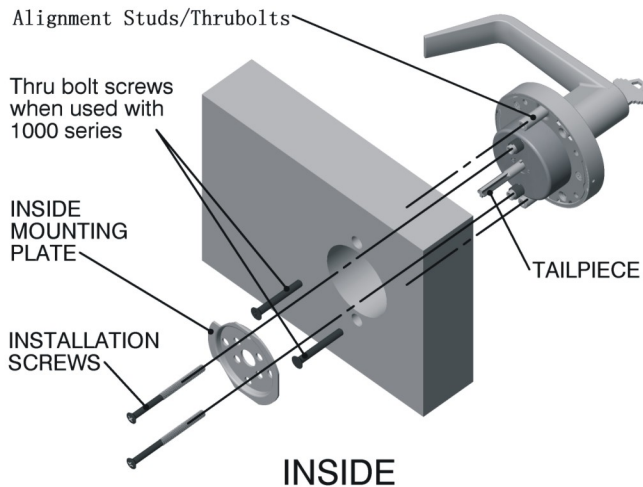
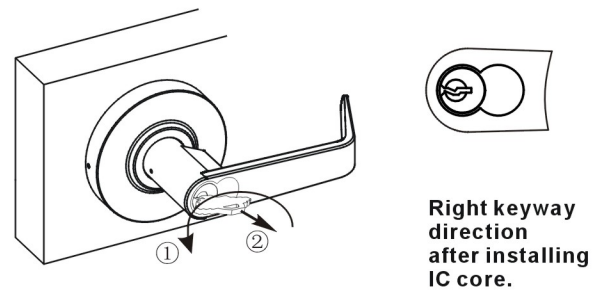


INSTALLATION INSTRUCTIONS FOR KIL KEY IN LEVER TRIM FOR EXIT DEVICE

1. Prepare door per template.
2. Install KIL trim on door using 2 installation screws and inside mounting plate.
3. Use thru bolt screws if trim is being thru bolted to 1000 series exit device.



1. Install IC core with the control key.

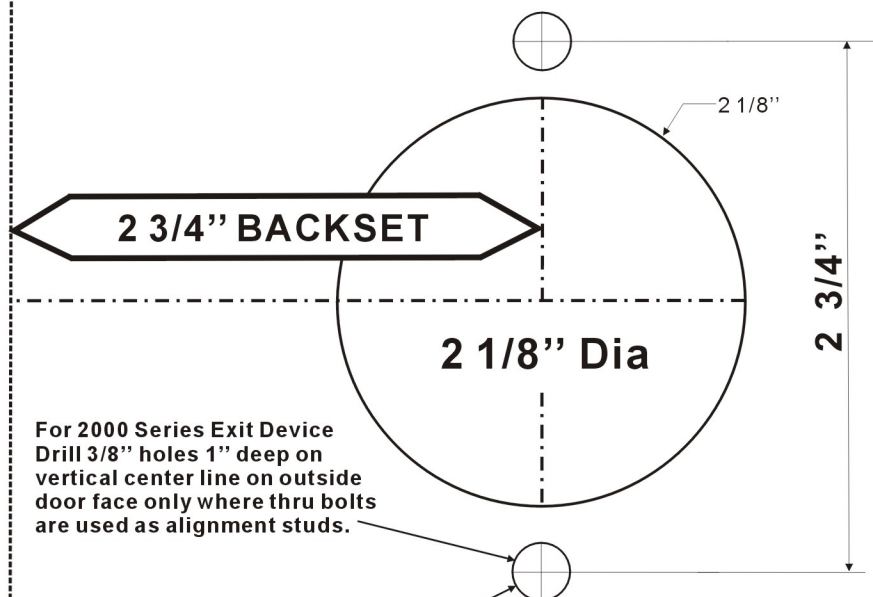


2. Turn the key approximately 10 degrees counter clockwise and then remove the control key. Keep the control key in a secure location and use the normal key for daily operation.

TEMPLATE

FOLD AND ALIGN TEMPLATE ON EDGE OF DOOR

PLACE TEMPLATE ON HIGH EDGE OF BEVEL



For 2000 Series Exit Device
Drill 3/8" holes 1" deep on vertical center line on outside door face only where thru bolts are used as alignment studs.

For 1000 Series Exit Device
If trim is to be thru bolted to 1000 series exit device, drill two 3/8" thru holes on vertical center line from both sides of door.