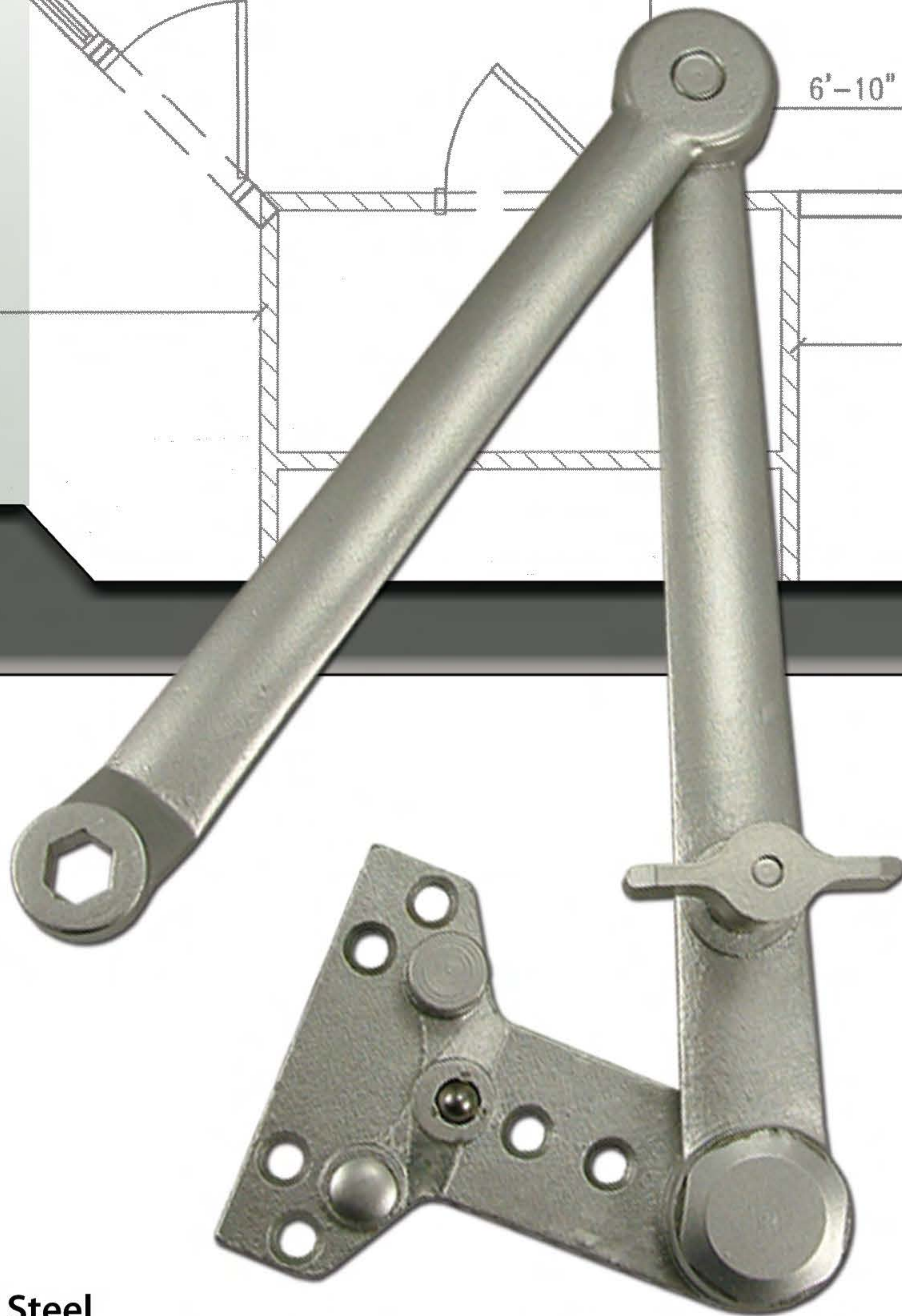


116 HD Hold Open Arm

Specifications



- Base Material :** Forged Solid Steel
- Applications :** Used to hold doors open in non UL applications
Ideal for use in High Abuse areas
- Controls :** T-Turn Hold Open Function & Removable Auxiliary Stop
- Handing :** Non Handed
- Mounting :** Parallel Arm only
- Finishes :** AL, BZ painted finishes
- Accessories :** Fifth Hole Spacer included for shoe support
& Blade Stop Spacer also available
- Fasteners :** Machine, Wood and Self Tapping machine screws
- Warranty :** Limited Lifetime Warranty