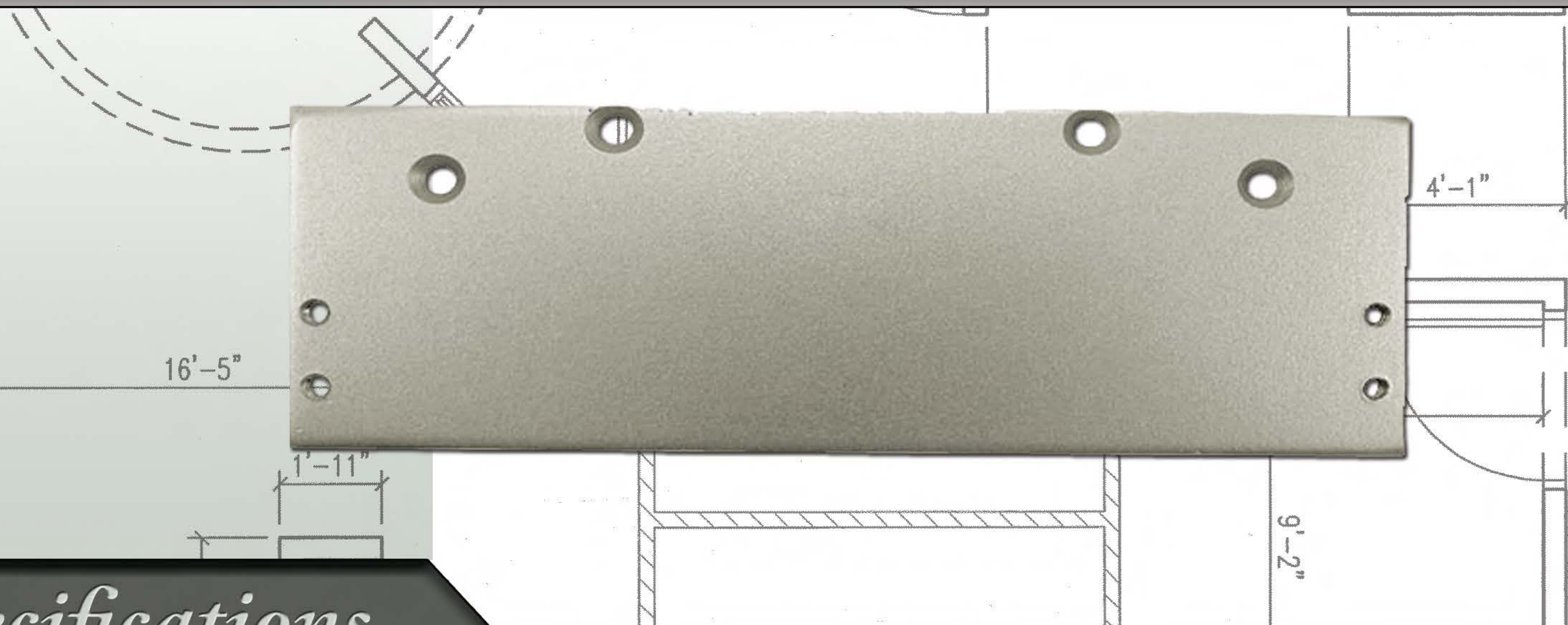


116 Regular/TJ Drop Plate



Specifications

- Base Material :** Steel
- Size :** 2 9/16" height x 9 3/4" width x 1/4" thickness
- Handing :** Non Handed
- Regular Mount :** Used for regular arm mounts when the top rail is too narrow to allow the closer to be mounting directly to the door surface
- Top Jamb Mount :** Used for top jamb mounting in low ceiling clearance applications or when an overhead door holder prevents normal top jamb mounting of closer body
- Finishes :** AL, BZ painted finishes
- Prepared holes :** Screw holes drilled & tapped for closer mounting & countersunk for installation to frame or door
- Fasteners :** Machine, Wood and Self Tapping machine screws
- Warranty :** Limited Lifetime Warranty