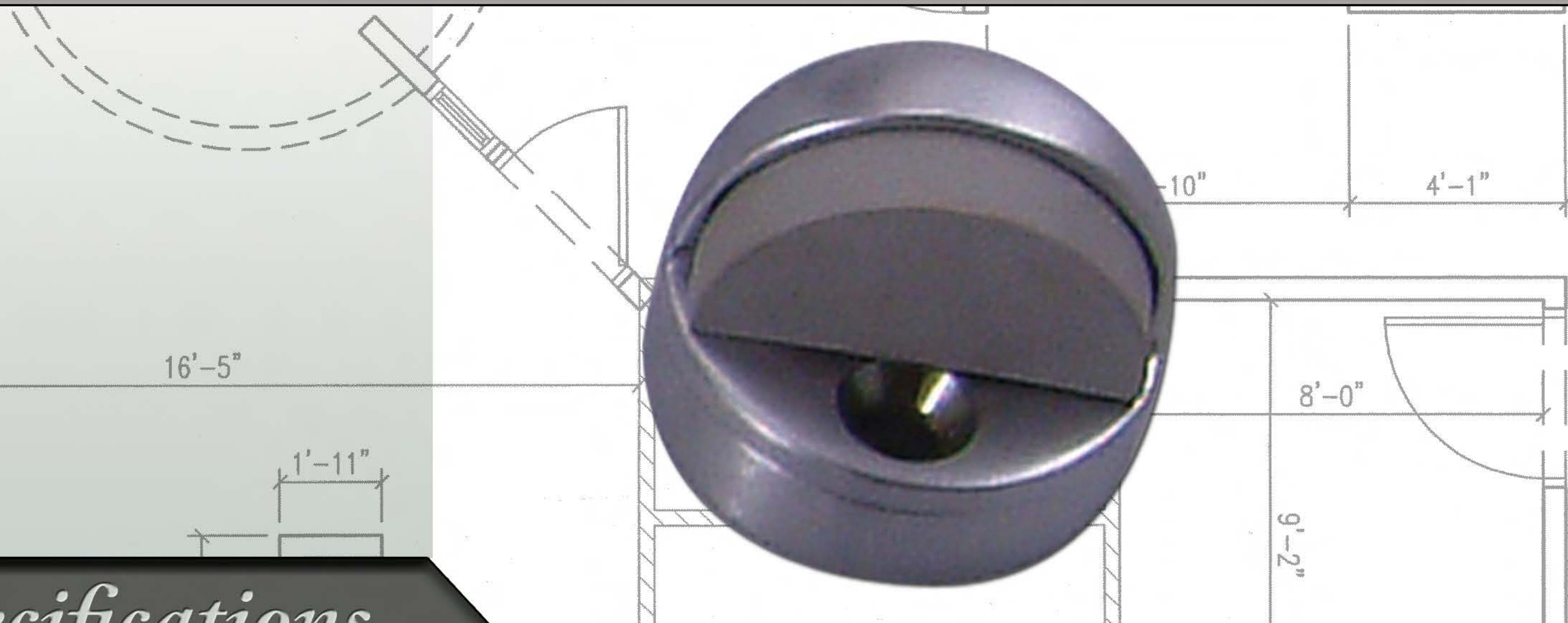


DFS-WR Dome Floor Stop (w/ Riser)



Specifications

- Part Number :** DFS-WR Dome Floor Stop (w/ Riser)
ANSI : ANSI A156.16: L02161 / L02141
Base Material : Solid Cast Brass
Accessory : 3/8" Riser included for high profile
Bumper : Grey Rubber Bumper
Dimensions : 1/8" Thick Base with 3/8" riser
1 3/4" Diameter
1 1/8" Height without riser
1 1/2" Height with riser
Fasteners : 1 1/2" Wood Screw x Plastic Anchor
1 1/2" Machine Screw & Lead Anchor