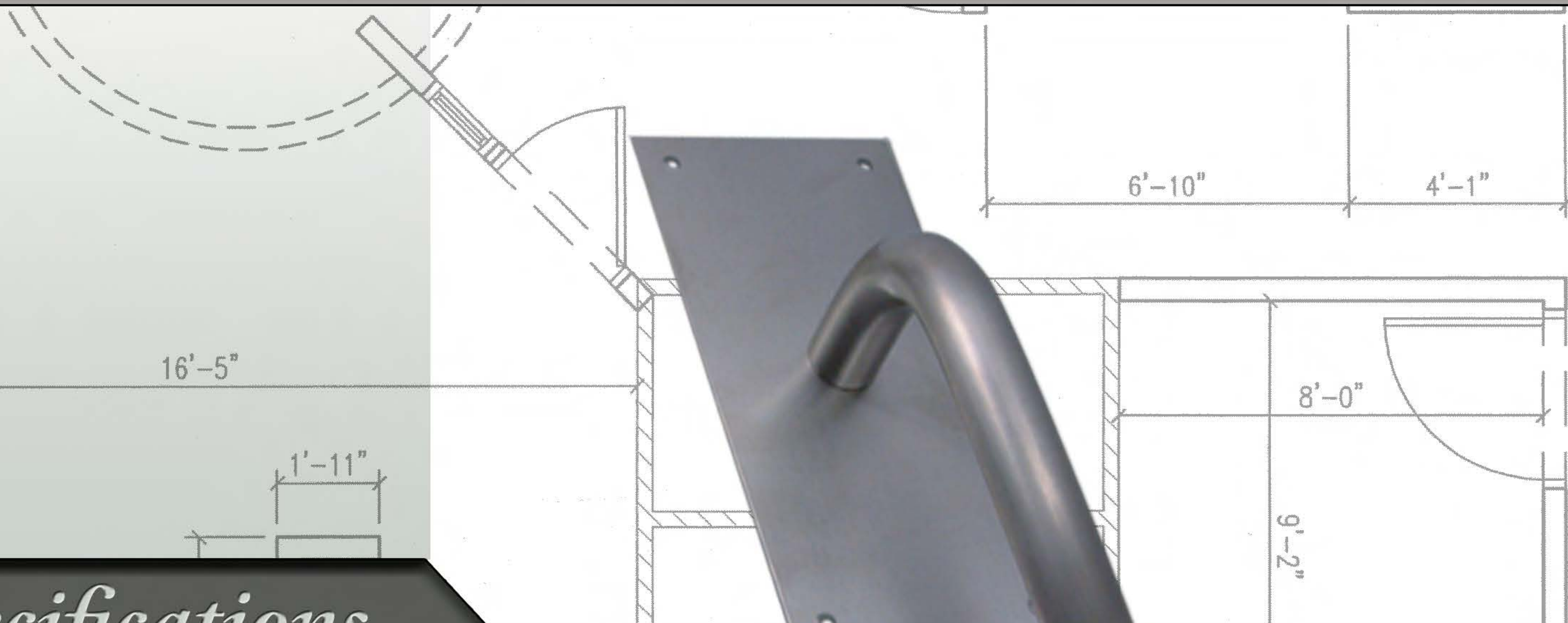


PullP-416xB4E Pull Plate



Specifications

- Part Number :** PullP-416xB4E
ANSI : ANSI A156.16 : J405
ADA : Barrier Free 2 1/2" clearance
Material : Stainless Steel
Size : 1" Diameter Solid Pull
8" Center to center
4" x 16" Plate
Thickness : .050"
Edges : 4 Beveled edges
Door Thickness : 1 3/4"
Fasteners : 5/8" Sheet metal screws
1/4"-20 x 2 1/4" Thru bolts & Finish washer

