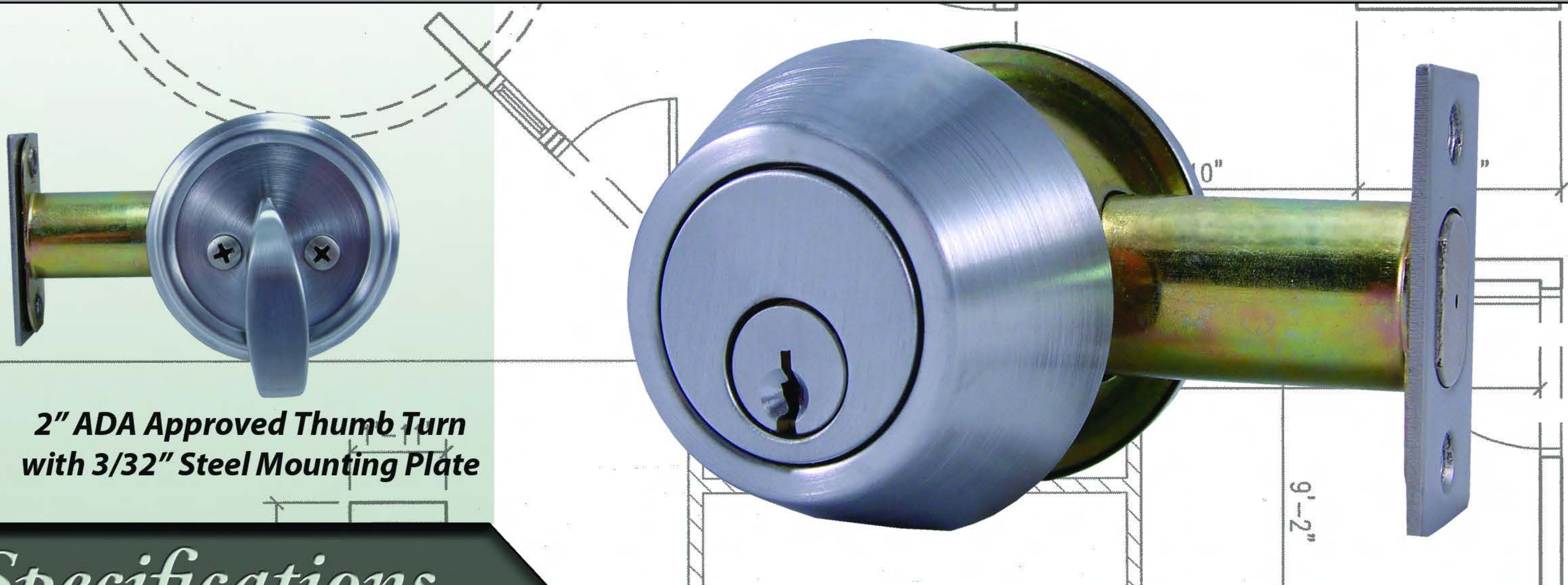


D2 Series

Tubular Deadbolt Lock



**2" ADA Approved Thumb Turn
with 3/32" Steel Mounting Plate**

Specifications



- ANSI:** Meets & Exceeds ANSI - A156.2, Grade 2 Standards
- UL Listings:** UL Listed for "A" Label 3 Hour Fire Doors
- ADA Compliance:** 2" ADA Thumbturn Meets ADA & ANSI A117.1 accessibility codes
- Lock Chassis:** Steel, Zinc dichromated for Corrosion Resistance
- Trim:** Free spinning cylinder collar resists wrenching and prying
- Handing:** Non-Handed - Completely reversible
- Backset & Latchface:** 2 3/4" fixed backset std. with 1 1/8" x 2 1/4" latchface, 2 3/8" backset available with 1" x 2 1/4" latchface both with self adjusting front for square or beveled doors
- Latchbolt:** Grade 1 Solid Brass with 1" Throw & Anti-Saw Hardened Steel Pin Insert
- Cylinder Options:** 6 Pin Brass, C Kwy, with 2 Keys std, Prepared for Small format IC core (less core)
- Optional Keyways:** 11 popular competitor keyways available with replacement cylinders (extra charge applies)
Note: Replacement cylinders are supplied loose and not installed in locksets
- Strike:** 1 1/8" x 2 3/4" Square corner
- Door Preparation:** ANSI A115.2 - 2 1/8" crossbore
- Door Thickness:** 1 3/4" thick doors
- Standard Finishes:** US3 PVD*, US4, US10B, US15, US26 PVD*, US26D (PVD = Lifetime Finish)
- Fasteners:** Combination screws for wood or metal doors & frames
- Warranty:** Limited Lifetime Warranty



211 Endeavor Drive - PO Box 680
Rogersville, MO 65742
PH 877-258-1262 FX 877-888-0150
www.designhardware.net