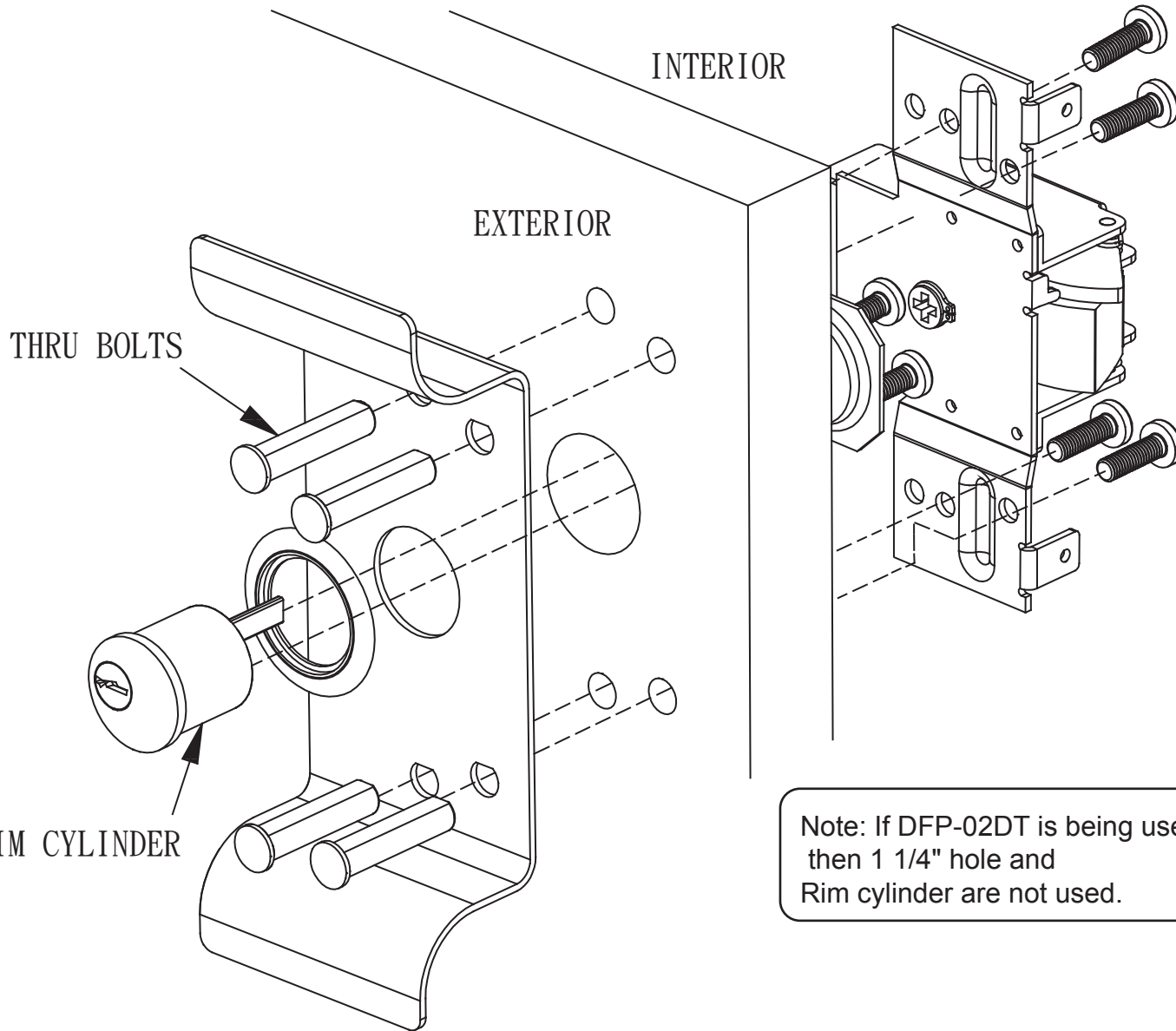
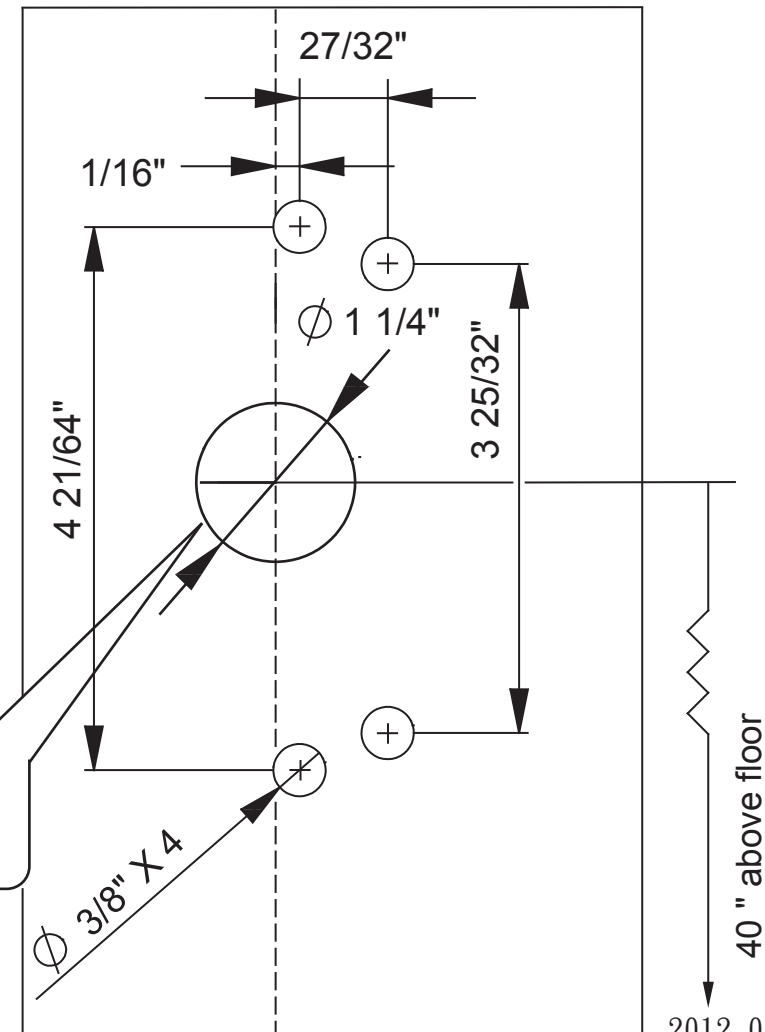
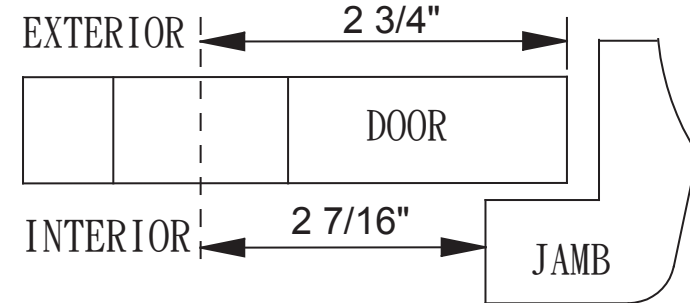


2000 SERIES PULL TRIM INSTALLATION INSTRUCTIONS

DFP-03NL, DFP-02DT

NOTE:
Backset of 2 3/4" from jamb to center or
2 3/4" from door edge to center is acceptable.
Strike shim can be used or not used to make
adjustments to the roller strikes projection to
compensate for doors with different backsets.



Note: If DFP-02DT is being used
then 1 1/4" hole and
Rim cylinder are not used.