

316 Series US3 /US26 Door Closers Installation Notes

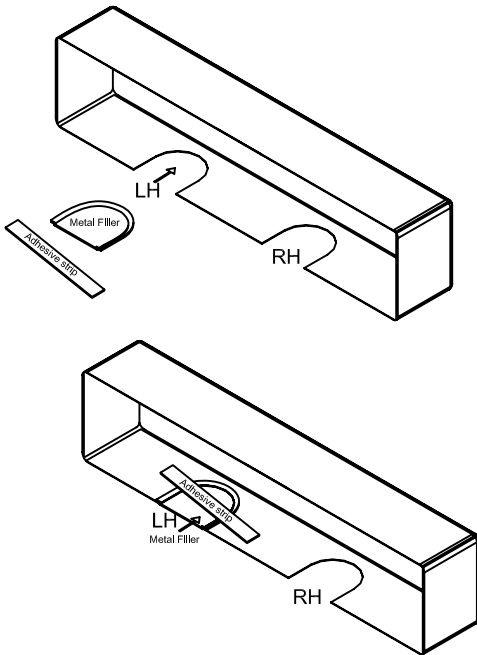
Step 1 :

Please verify handing of door that closer will be installed. Use the provided adhesive strip to attach the Metal Filler to cover unused cutout.

Metal Filler Location:

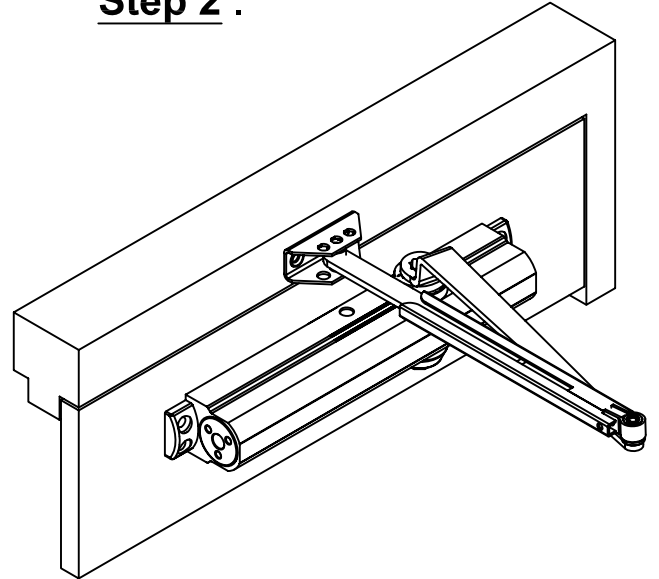
RH Door: Regular arm , Top Jamb and Parallel arm installation with "RH" location.

LH Door: Regular arm, Top Jamb and Parallel arm installation with "LH "location



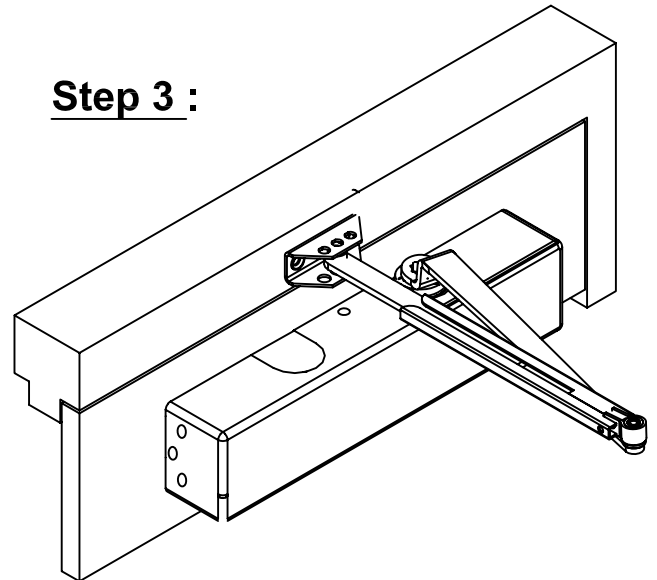
Left Hand Door Shown.
Right Hand Door Opposite

Step 2 :



Install the closer according to the **316 Series Installation Instructions** packed in the box.

Step 3 :



Attach the metal cover onto the closer body with the provided cover attachment screws.