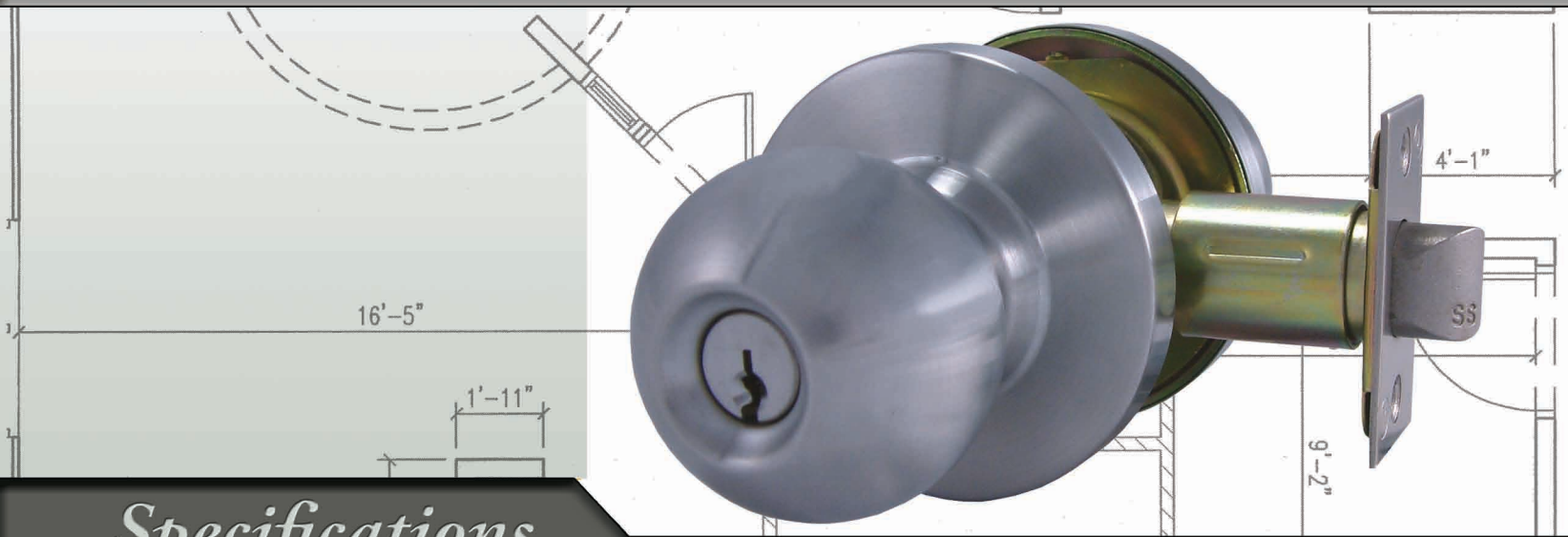


# K2 Series

Standard Duty Grade 2 Lock



## Specifications

- ANSI:** Meets & Exceeds ANSI - A156.2, Series 4000, Grade 2 Standards
- UL Listings:** UL Listed for "A" Label 3 Hour Fire Doors
- Lock Chassis:** Steel, Zinc dichromated for corrosion resistance
- Trim:** 2" wrought brass knob, 3" wrought brass roses, 3" projection
- Handing:** Non-handed - Completely reversible
- Backset & Latchface:** 2 3/4" backset std. with 1 1/8" x 2 1/4" latchface, 2 3/8" backset is available with 1" x 2 1/4" latchface both with self adjusting front for square or beveled edge doors
- Latchbolt:** Stainless Steel with 1/2" projection, Deadlocking on keyed functions
- Cylinder Options:** 6 Pin Brass, C Kwy, with 2 Keys standard  
11 popular competitor keyways available with replacement cylinders (extra charge applies)  
Note: Replacement cylinders are supplied loose and are not installed in the locksets
- Strikes:** 4 7/8" ASA standard, 2 3/4" T strike & Full lip strike available
- Door Preparation:** ANSI A115.2 - 2 1/8" crossbore
- Door Thickness:** Factory Set for 1 3/4", can be adjusted to fit 1 3/8" to 2" thick doors
- Standard Trim Design:** Ball Knob
- Standard Finishes:** US3 PVD\*, US10B, US26D, US26 PVD\* (PVD = Lifetime Finish)
- Fasteners:** Combination screws for wood or metal doors & frames
- Warranty:** Limited lifetime warranty

