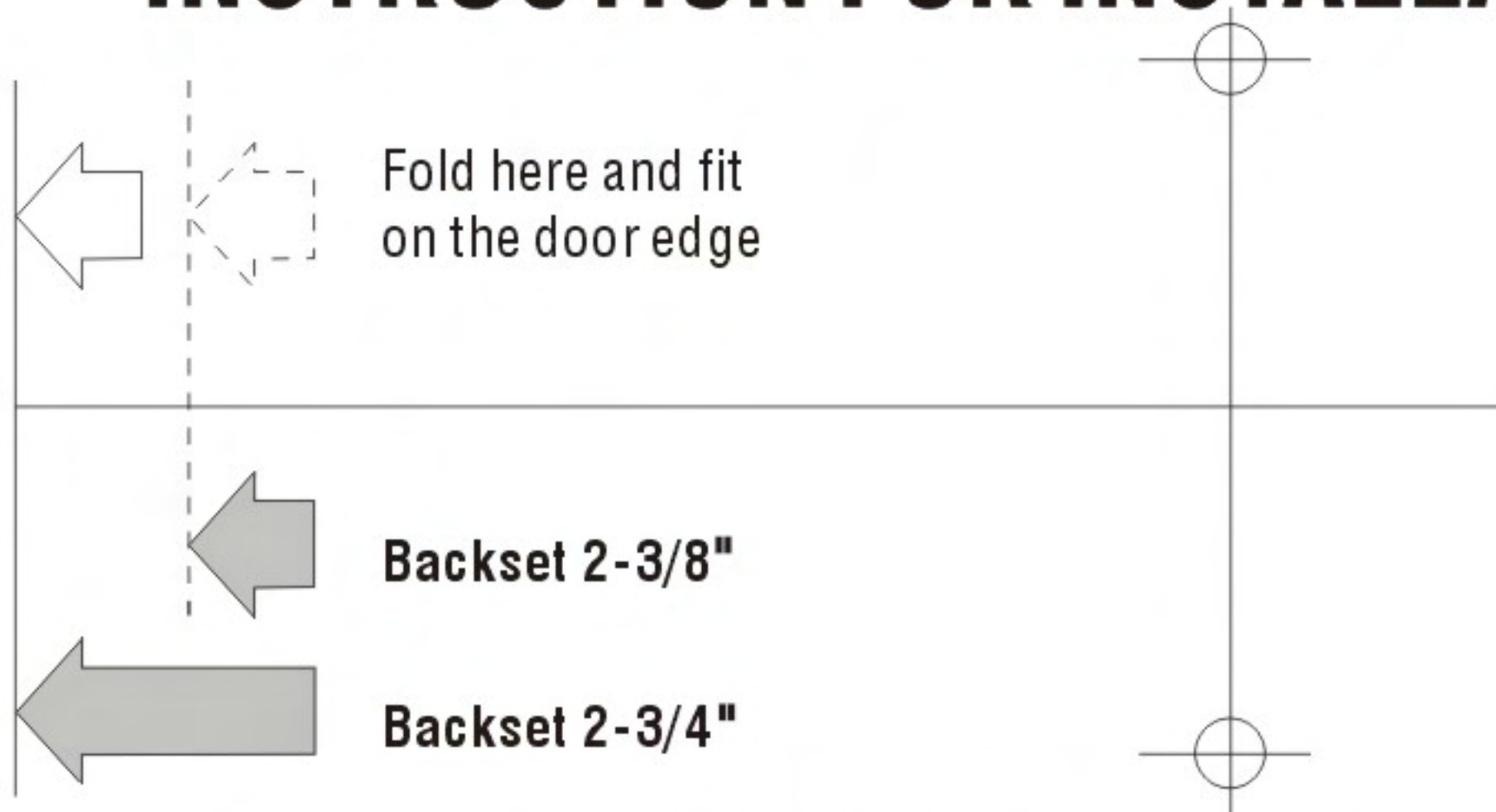


INSTRUCTION FOR INSTALLATION OF DUMMY LEVER

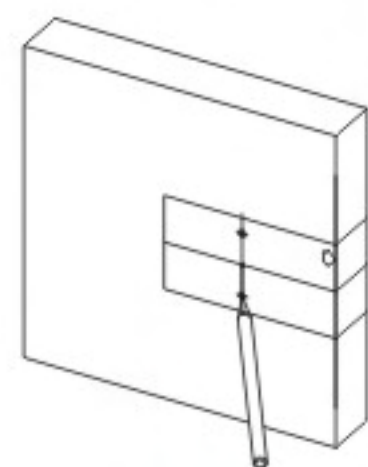


CUT ALONG DOTTED LINE TO REMOVE TEMPLATE

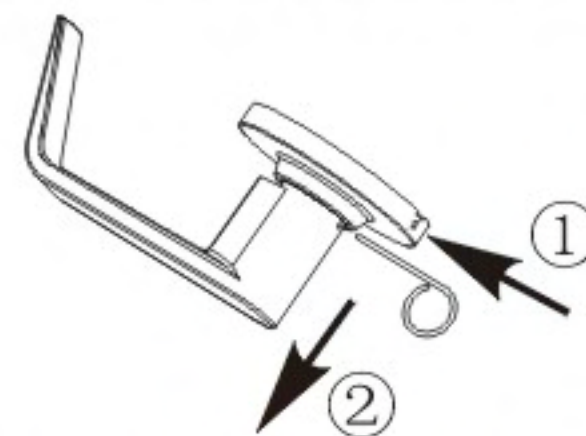
1. Use template. Draw center line for dummy lever across edge of door approximately 36" above floor.
2. Align edge of template with edge of door after measuring for backset required. (see template) Match center line with center line drawn on door edge.
3. Mark by piercing 2 holes on door for locating screws.
4. Attach dummy to door by lining up holes in the lever with those pierced in the door. Insert screws and tighten.

TOOLS NEEDED FOR NEW INSTALLATION

- *Pencil
- *Phillips Screwdriver
- *Tape Measure



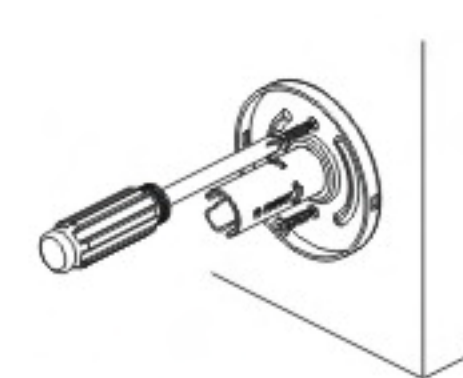
1. Mark door.



2. Inset push pin into hole to depress catch and remove lever.

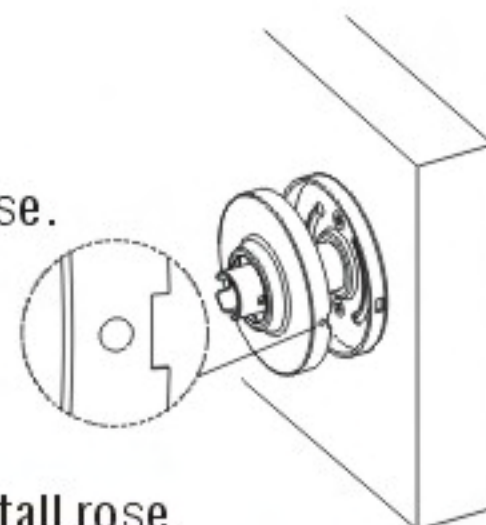


3. Remove rose.

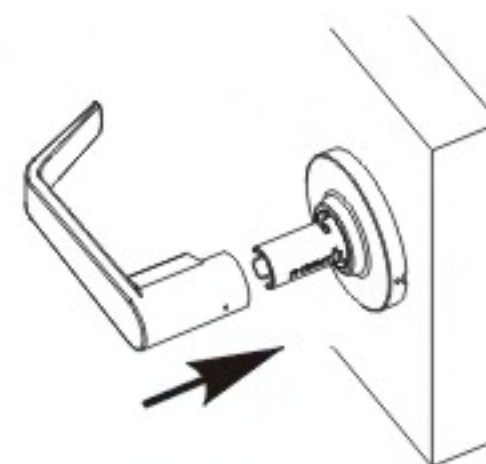


4. Install mounting screw.

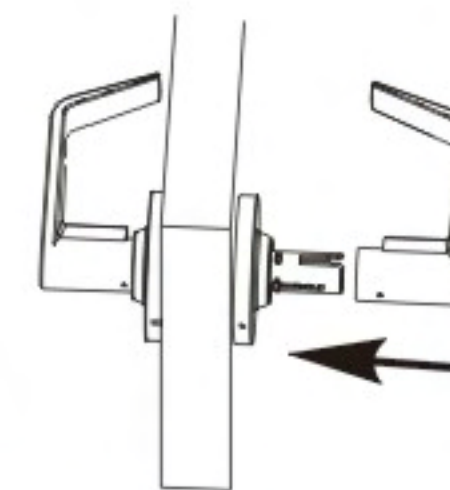
Align cut with rectangle hole and push in rose.



5. Install rose.



6. Install Lever.



7. For double dummy repeat steps 1 thru 6 on opposite side of door.