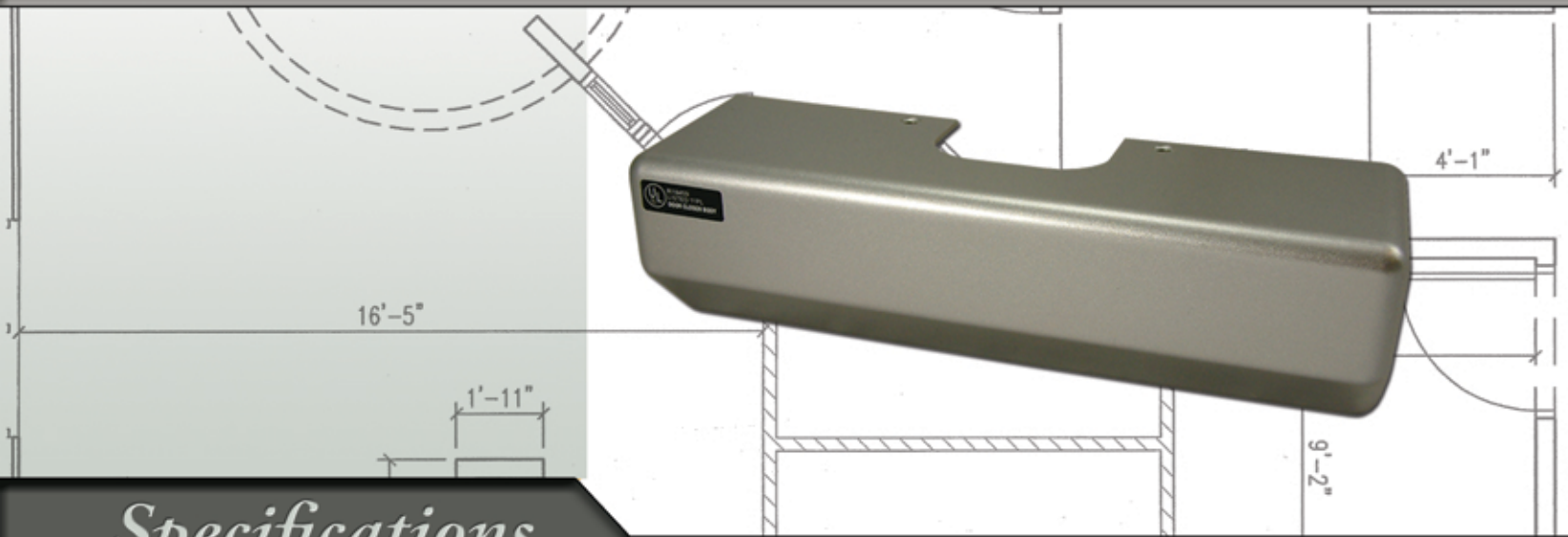


116 Closer Cover



Specifications

- Base Material :** High Impact ABS plastic - Non corrosive
- Size :** 9 3/4" long x 2 9/16" tall - Projects 2 3/16" from door face
- Application :** Used to give closer a more finished appearance
- Optional :** Not included with closer, must be ordered seperately
- Handing :** Non-handed
- Finishes :** AL, BZ, painted finishes
- Fasteners :** Secured by 2 machine screws (included)
- Warranty :** Limited lifetime warranty