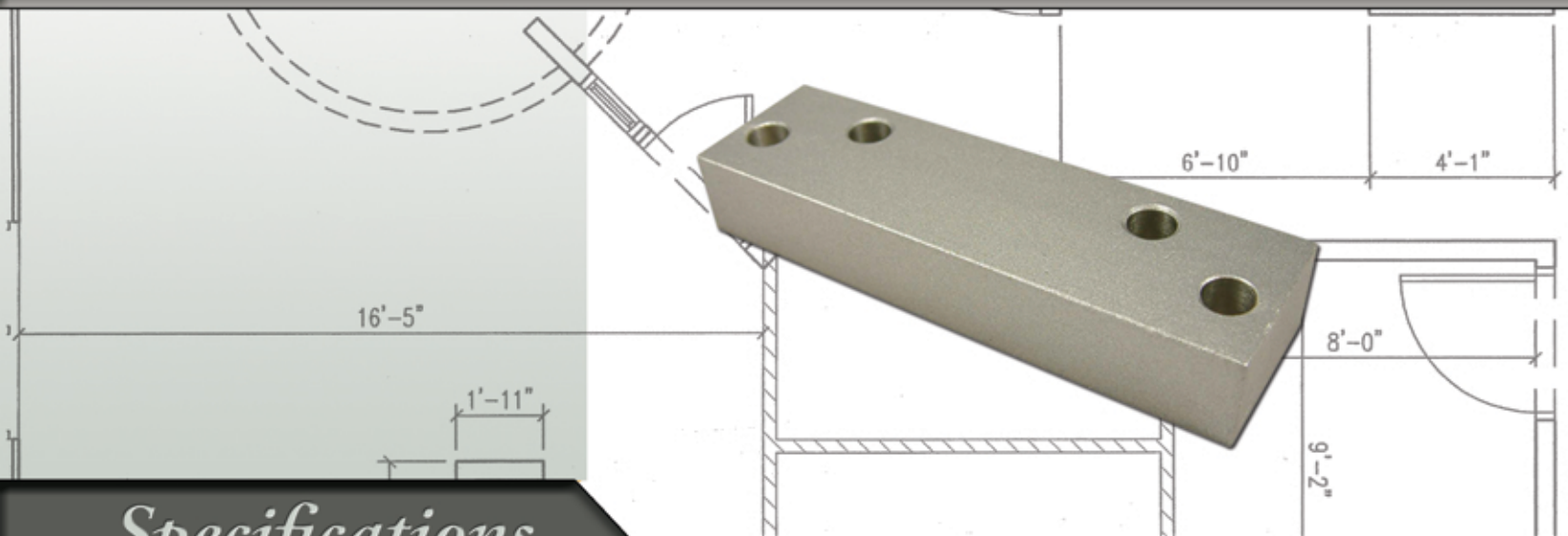


# 316/116 Blade Stop Spacer



## Specifications

**Base Material :** Aluminum

**Size :** 3 1/2" length x 1" width x 1/2" thickness

**Application :** Used as a spacer when the door frame has a blade stop and the PA bracket must be mounted on the frame rabbet.

**Compatible with :** 116 Standard Arm with PA Bracket

316 Standard Arm with PA Bracket

316/116 Adjustable Hold Open Arm with PA Bracket

**Finishes :** AL, BZ, GLD painted finishes

**Fasteners :** Machine, wood, self tapping machine screws

**Warranty :** Limited lifetime warranty