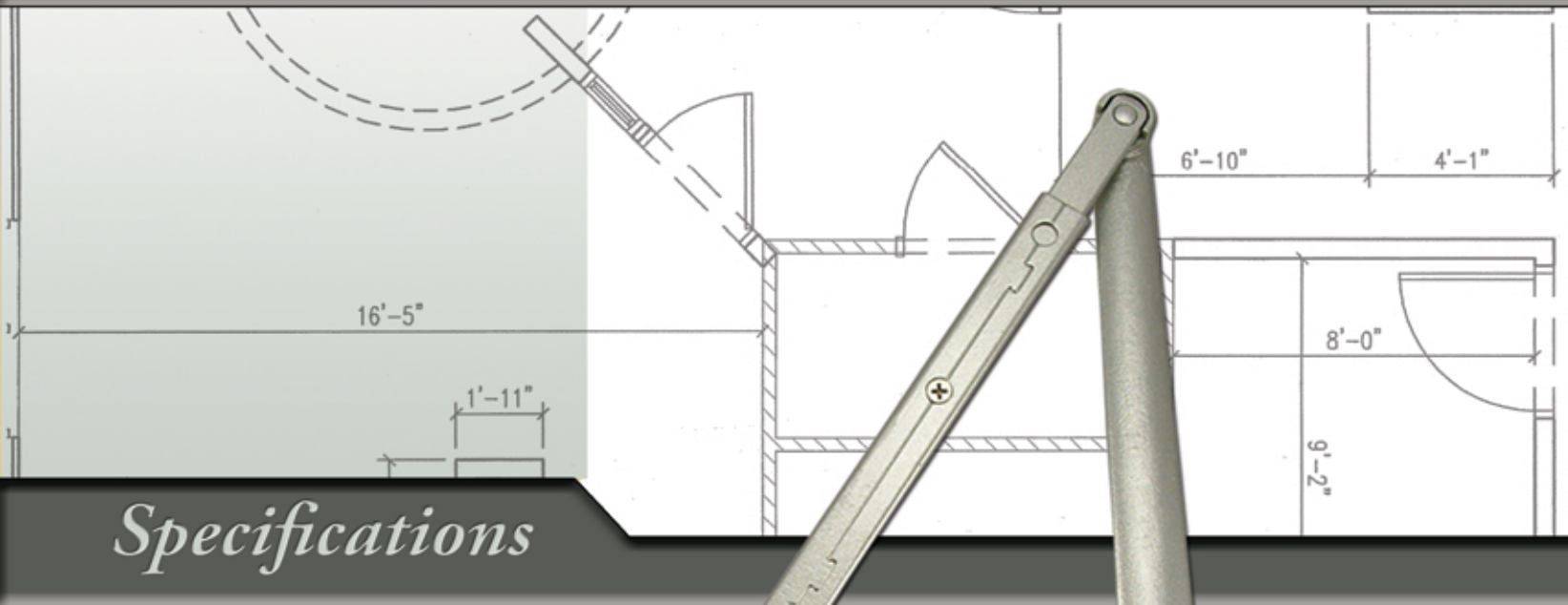


316 Friction Hold Open Arm



Specifications

- Base Material :** Forged & stamped steel
- Application :** Used to hold doors open in non UL Fire Rated applications
- Controls :** Hold Open Function using friction type fitting under nut which also allows for multiple hold open positions
- Handing :** Non-handed
- Mounting :** Regular, Top Jamb & Parallel Arm (includes PA bracket)
- Adjustability :** Two arm length positions allow for different jamb depths
- Finishes :** AL, BZ, GLD painted finishes
- Fasteners :** Machine, wood and self tapping machine screws
- Warranty :** Limited lifetime warranty