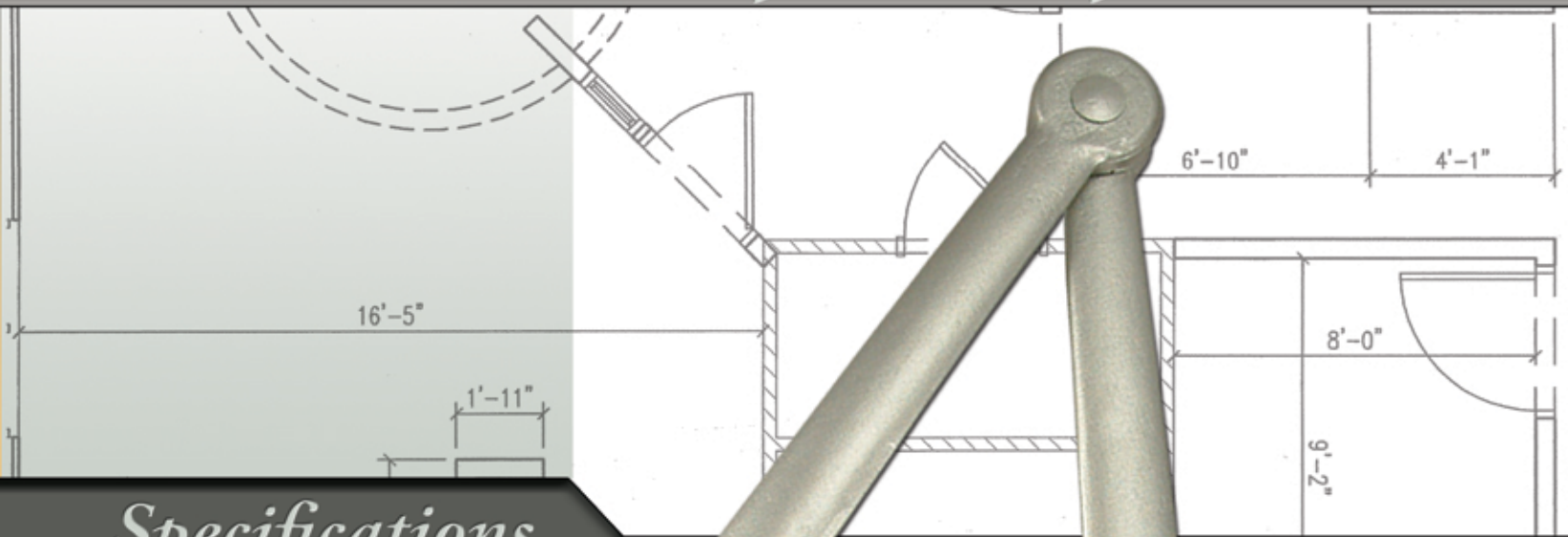


# 316 Heavy Duty Arm



## Specifications

- Base Material :** Forged solid steel
- Controls :** Removable Auxiliary Stop
- Handing :** Non-handed
- Mounting :** Parallel Arm only
- Finishes :** AL, BZ, GLD painted finishes
- Duty :** Ideal for high abuse applications
- Accessories :** Fifth Hole Spacer included
  - Spring Stop available separately as replacement for auxiliary stop
  - Shoe Supports & Blade Stop Spacers available separately
- Fasteners :** Machine, wood and self tapping machine screws
- Warranty :** Limited lifetime warranty