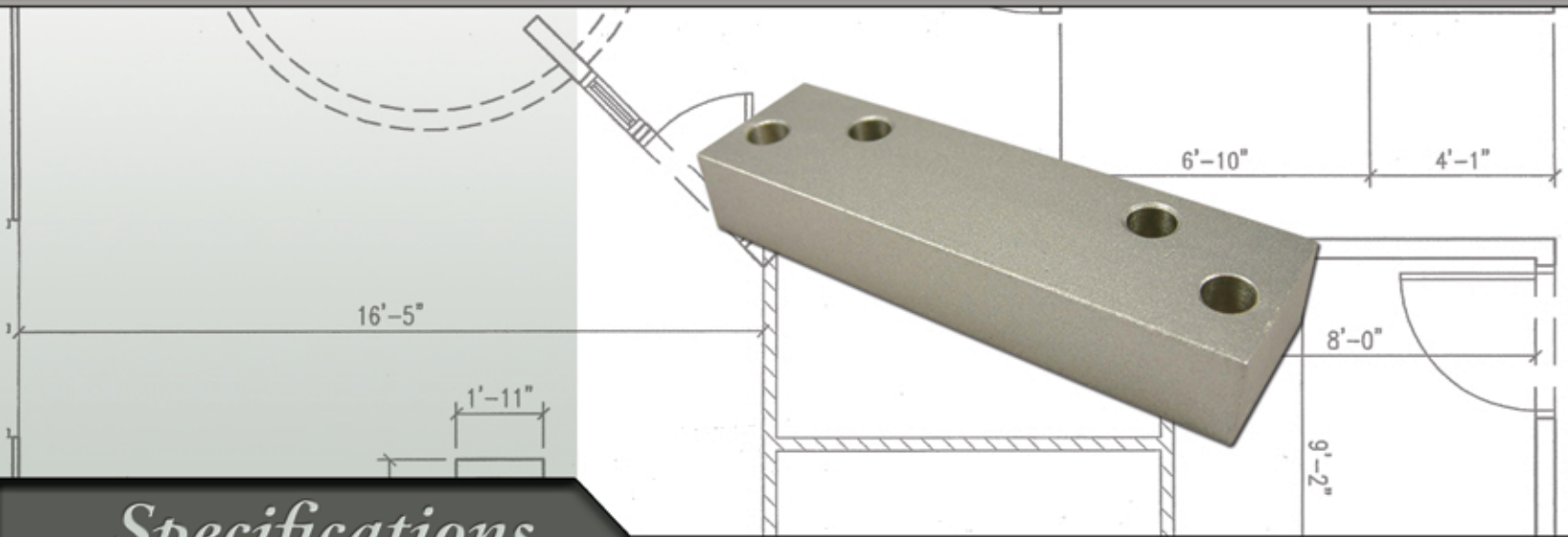


# 416 Blade Stop Spacer



## Specifications

**Base Material :** Aluminum

**Size :** 3 1/2" length x 1" width x 1/2" thick

**Application :** Used as a spacer when the door frame has a blade stop and the PA bracket must be mounted on the frame rabbet

**Compatible with :** 416 Standard Arm with PA Bracket

416 Heavy Duty Arm

416 HD Hold Open Arm

416 Friction Hold Open Arm

316/116 Heavy Duty Arm

316/116 HD Hold Open Arm

316/116 Friction Hold Open Arm

**Finishes :** AL, BZ & GLD painted finishes

**Fasteners :** Machine, wood, self tapping machine screws

**Warranty :** Limited lifetime warranty