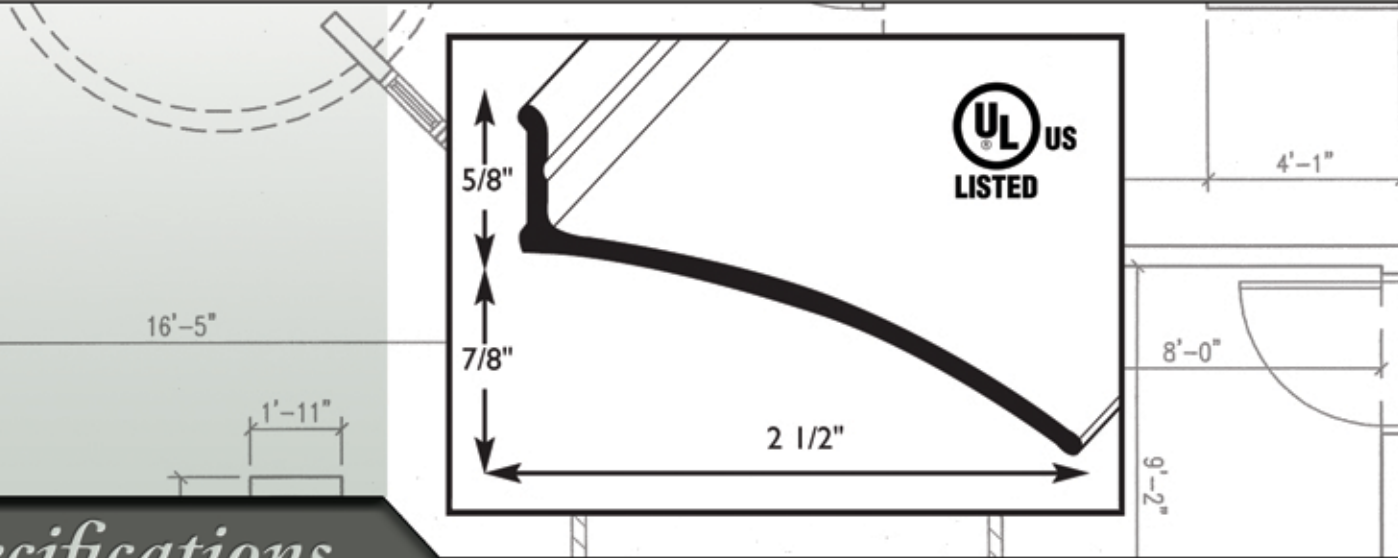


# DC-1

## Drip Cap - Overhead Protection



### Specifications

**Material :** 6063-T5 Extruded Aluminum Alloy

**UL Ratings :** Classified by UL and intended for application to hollow metal fire doors rated up to and including 3 hours, and wood doors rated up to 1 1/2" hours  
Fire Rated & Tested to meet UL10B & UL10C, UBC7-2, Part 1 & BS476

**Overall Height :** 1 1/2"

**Mtg. Strip Height :** 5/8"

**Projection :** 2 1/2"

**Stock Lengths :** (40", 76", 104" Mill Finish) (40", 76" Bronze Anodized)

**Non Stock Lengths :** Other lengths available by special order

**Stock Finishes :** MF = Mill finish (stock)

BZ = Bronze anodized (stock)

**Fasteners :** W = White painted (special order)

#6 x 5/8" sheet metal screws provided

**Warranty :** Limited 3 Year