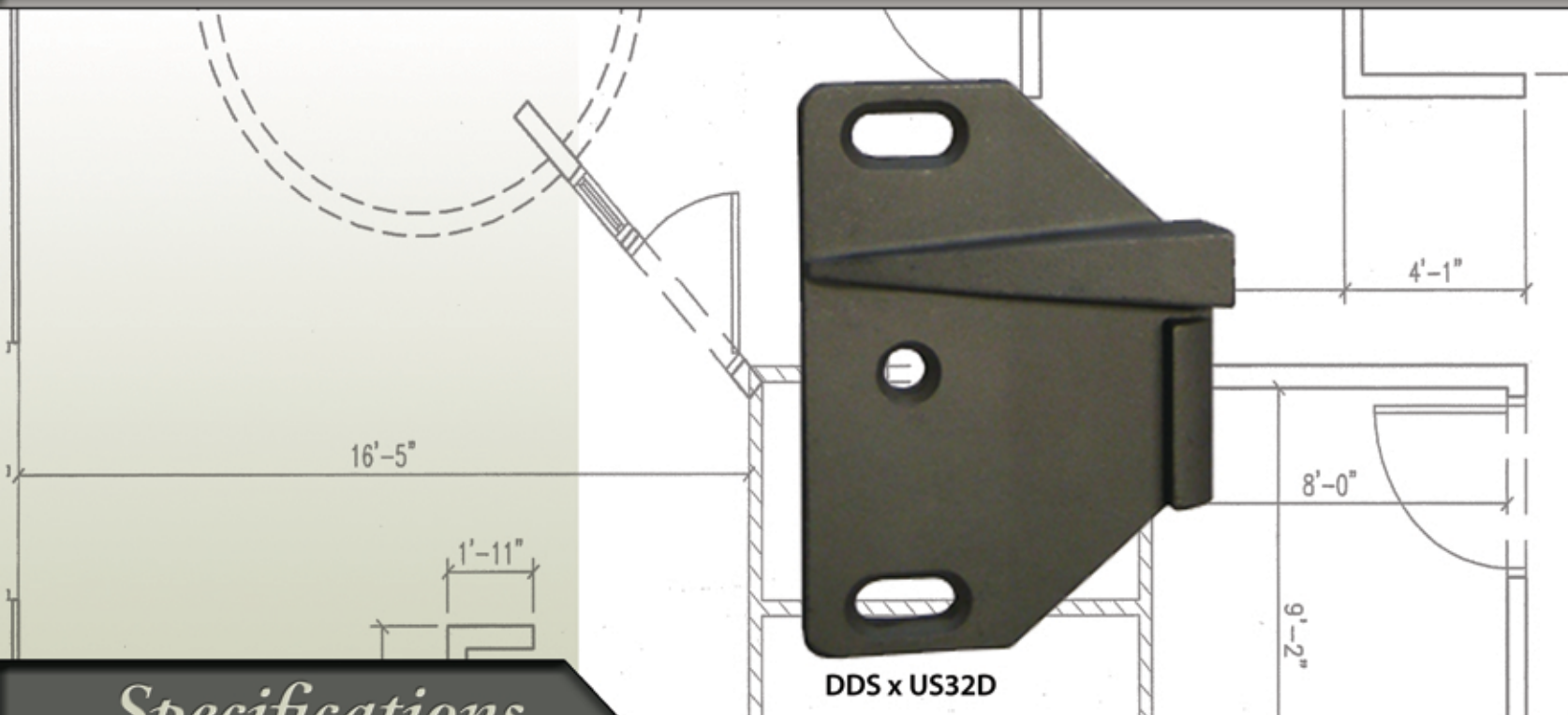


DDS Double Door Strike



Specifications

- Base Material:** Stainless steel
- Dimensions:** 3 1/2" height x 2 1/2" width x 7/16" thick x 3/4" projection (without shims)
- Application:** Works with 1000 or 2000 series rim exit devices, panic or fire rated
Used for pairs of doors that have either a surface vertical rod device or flush bolts securing the inactive leaf
- Handing:** Non-handed
- Fasteners:** Machine, wood and self tapping machine screws
- Accessories:** (2) 1/8" shims required and supplied for use with 1000 series only
- Finishes:** Plated US3, US4, US10B, US26 - US32D mill finish
- Warranty:** Limited lifetime warranty