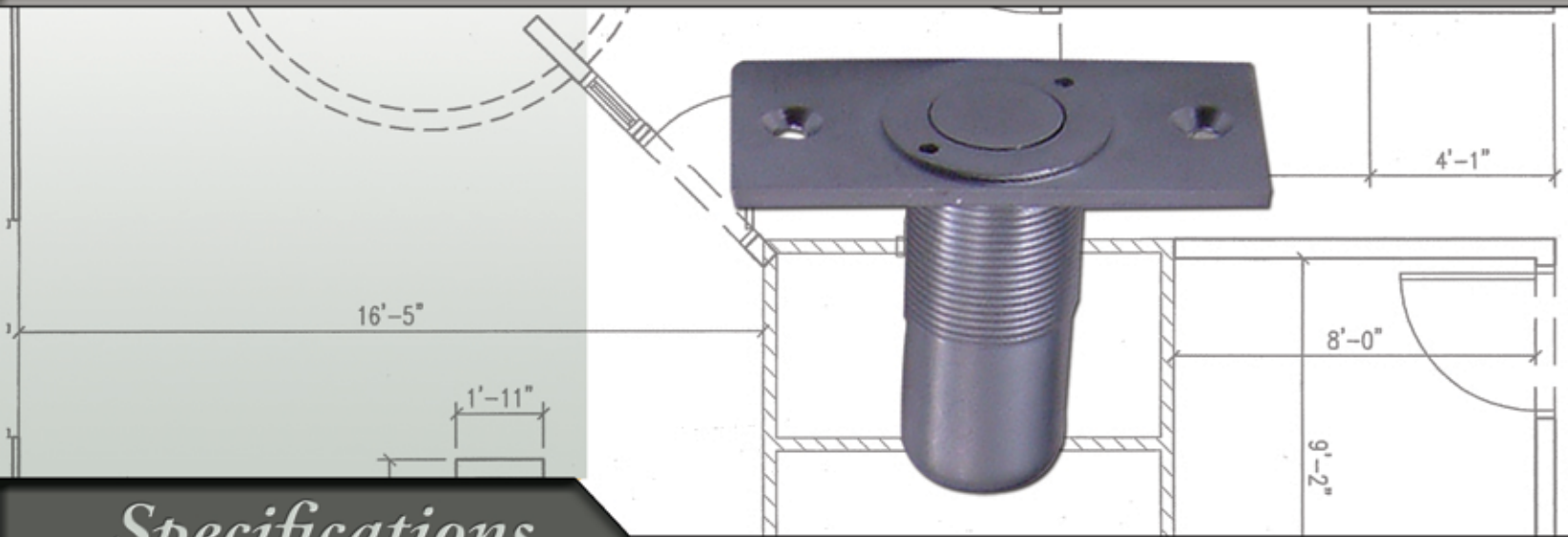


DPS-1 Dust Proof Strike



Specifications

Part Number : DPS-1 Dust Proof Strike

ANSI : ANSI A156.16 : L04021

Base Material : Brass

Dimensions : 7/8" Diameter barrel x 2" Depth

Face Plate : 1 3/8" x 2 7/8"

Features : Removable face plate
Adjustable height

Included accessory : Spanner wrench & Adjustable nut