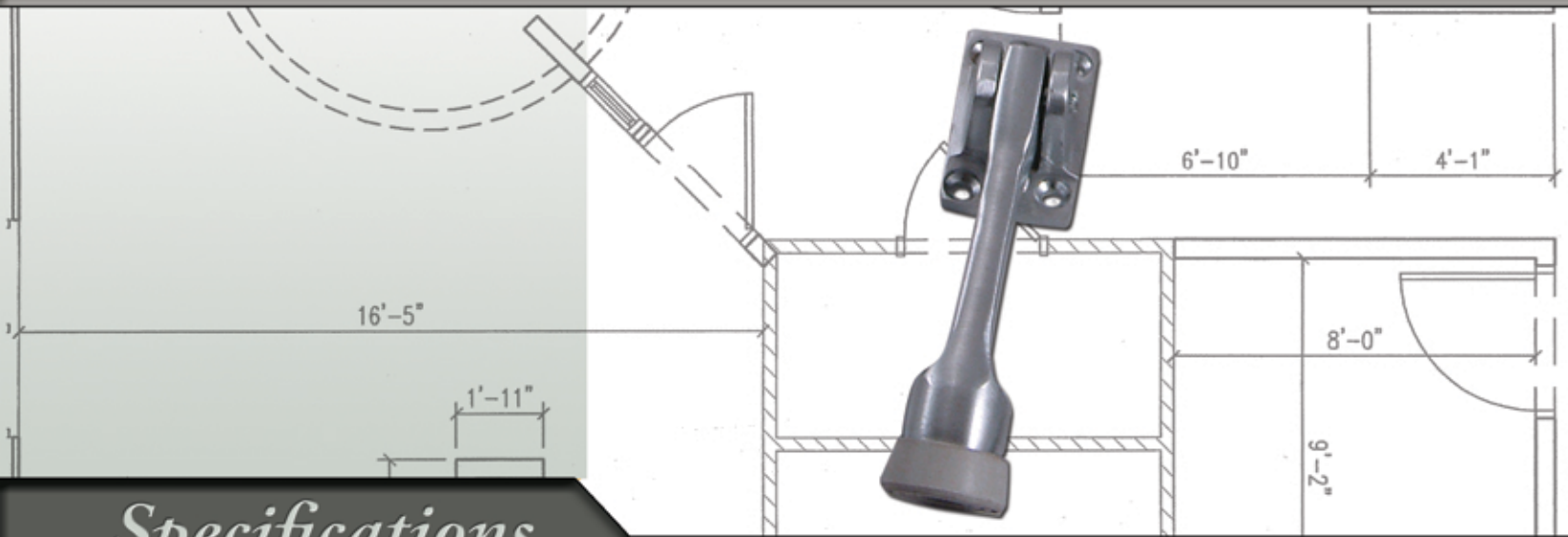


KDS-B Kick Down Stop (Brass)



Specifications

Part Number : KDS-B Kick Down Stop (Brass)

ANSI : ANSI A156.16: L01382

Base Material : Solid cast brass

Bumper : Grey Rubber Bumper

Dimensions : 2" x 1 5/16" base

4" Projection

Fasteners : (4) 1" Sheet metal screws