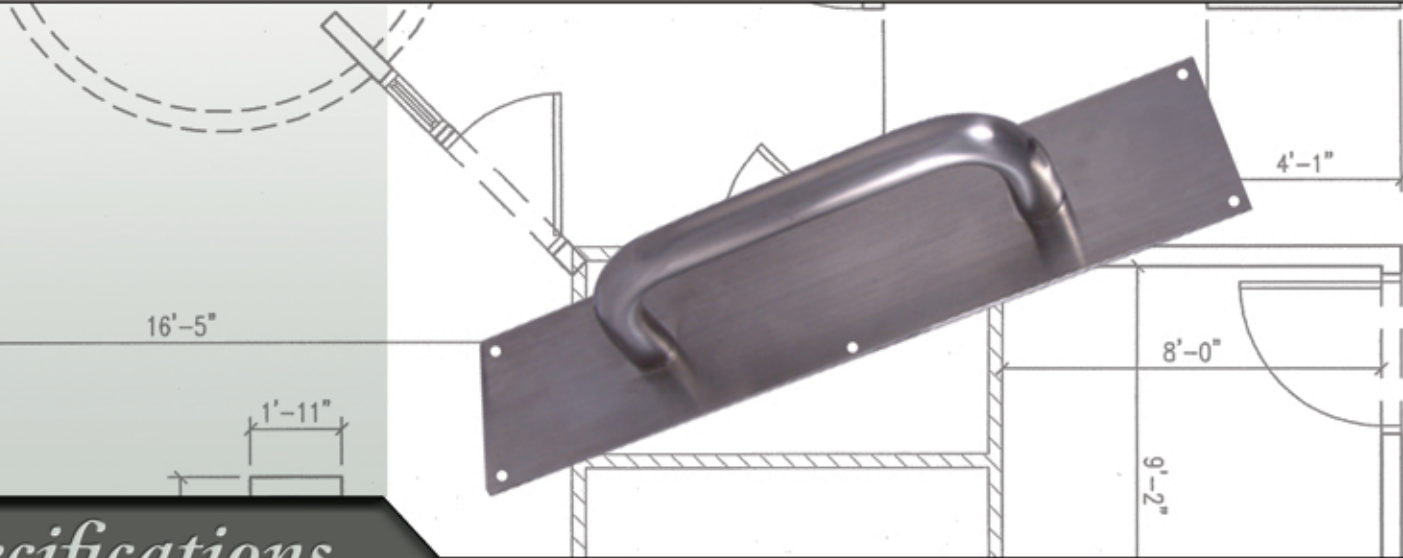


PullP-3 1/2x15 Pull Plate



Specifications

- Part Number :** PullP-315
ANSI : ANSI A156.6 : J405
ADA : Stainless Steel
Material : 3/4" Diameter Solid Pull
Size : 6 5/16" Center to center
3 1/2" x 15" Plate
Thickness : .050"
Door Thickness : 1 3/4"
Fasteners : 1/2" Sheet metal screws
5/16"-18 x 2 1/4" Thru bolts x 5/16" Finish washer