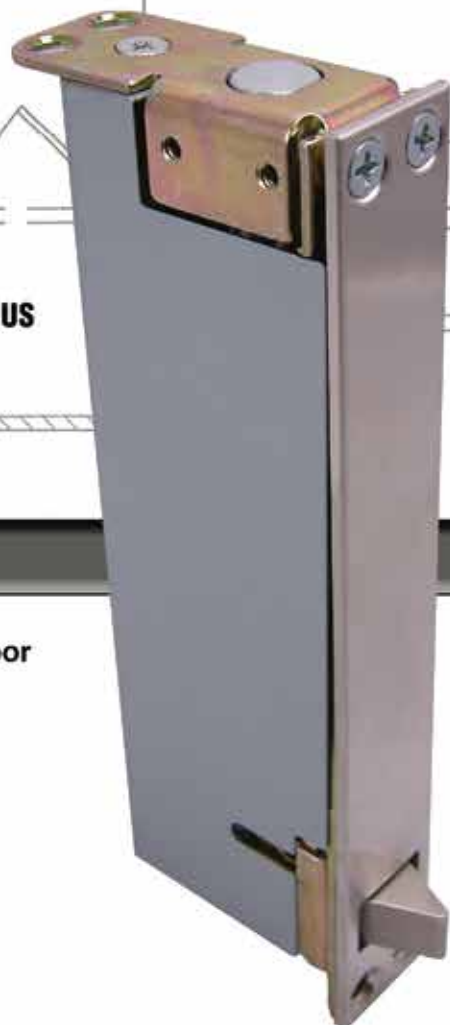
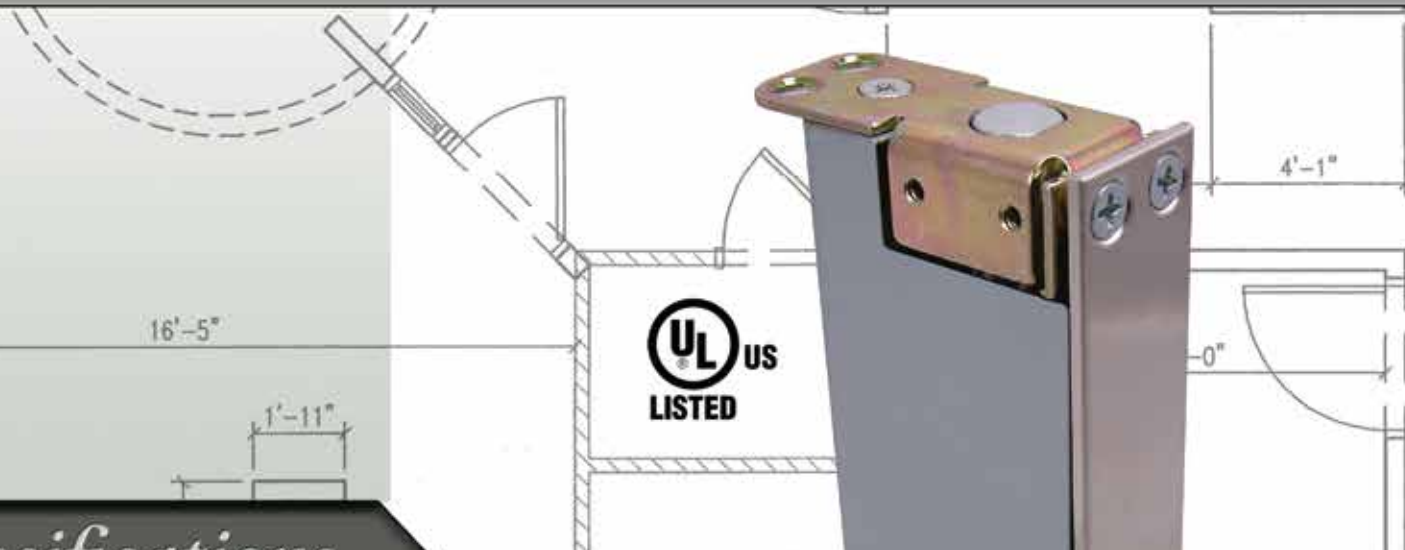


UL-AFB-W *UL Auto Flush Bolt - Wood Door*



Specifications

- Part Number :** UL-AFB-W UL Auto Flush Bolt - Wood Door
- ANSI :** ANSI A156.3 : Type 25
- UL Listing :** UL Listed - 90 Minute Fire Doors
Up to 4'-0" x 8'-0"
- Base Material :** Steel
- Bolt :** 5/8" Bolt Throw
- Backset :** 3/4" Rod Backset
- Bolt Head :** 1 1/2" Adjustable Bolt Head
- Face Dimensions :** 1" x 8 9/16" Face Plate
- Strike :** 15/16" x 2 1/4" Strike
- Fasteners :** 6 ea. #8 x 3/4 Flat Head Combination Screws
2 ea. 8-32 x 1/2 Flat Head Machine Screws
4 ea. #10 Counter Sunk Washer
- Note :** Use DPS-1 Dust Proof Strike to prevent the bottom strike from being blocked by dirt