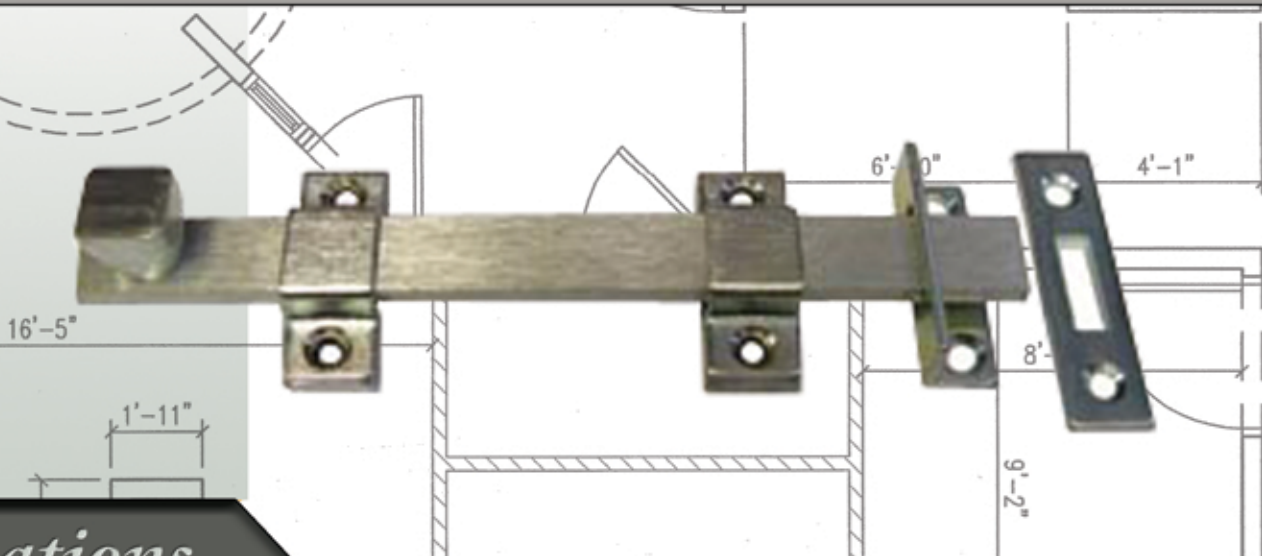


UL-SB Surface Bolts



Specifications

- Part Numbers :** UL-SB8 & UL-SB12
ANSI : ANSI A156.16: L04161
UL Listing : UL Listed - 3 Hour Fire Doors up to 4'-0" x 10'-0"
Base Material : Stainless steel or Steel (plated)
Mounting : Surface mounting
Dimensions : UL-SB8 = Overall 2" x 8"
UL-SB12 = Overall 2" x 12"
Bolt Size : 3/4" height x 1/4" thick
Bolt Throw : 1 1/8"
Projection : 1 5/16"
Strikes : Universal top strike and mortise bottom strike included
Fasteners : 8 ea. # 10 x 1 1/4" Sheet metal screws
8 ea. # 10-24 Flat head machine screws