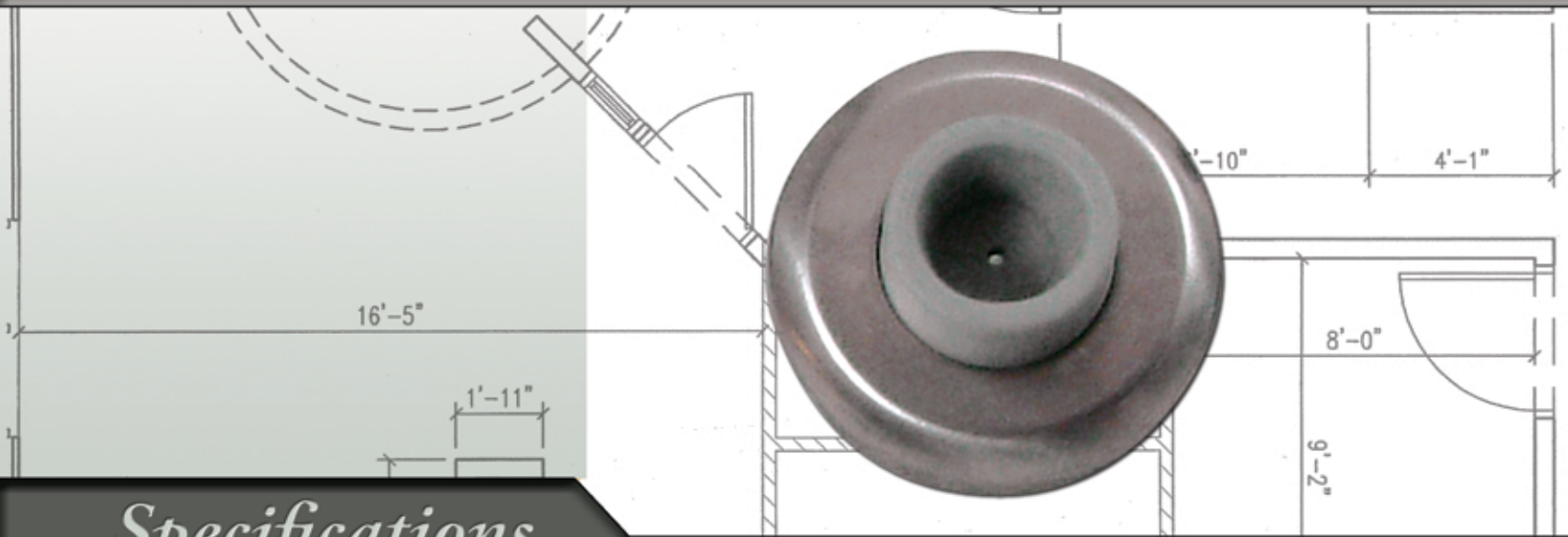


WS-CC Concave Wall Stop



Specifications

Part Number : WS-CC Concave Wall Stop

ANSI : ANSI A156.16: L02251

Base Material : Wrought stainless steel, brass or bronze

Bumper : Concave Grey Rubber Bumper

Mounting : Concealed Mounting

Dimensions : 2 1/2" diameter x 1 3/16" projection

Fasteners : 1 1/2" wood screw x plastic toggler