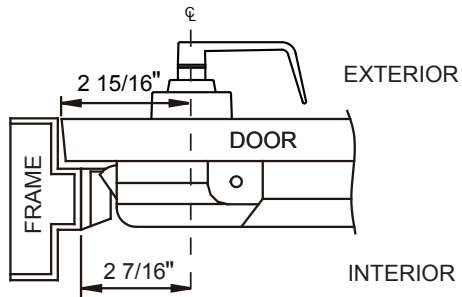
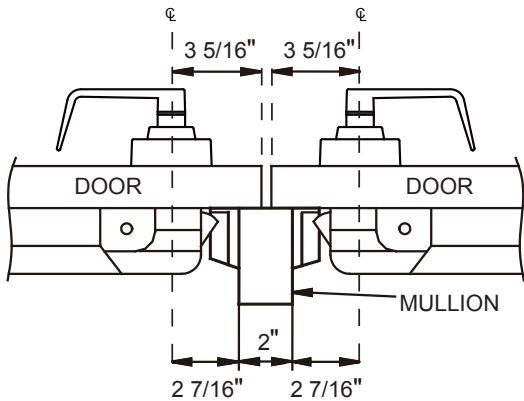


TEMPLATE FOR INSTALLING RIM EXIT DEVICE



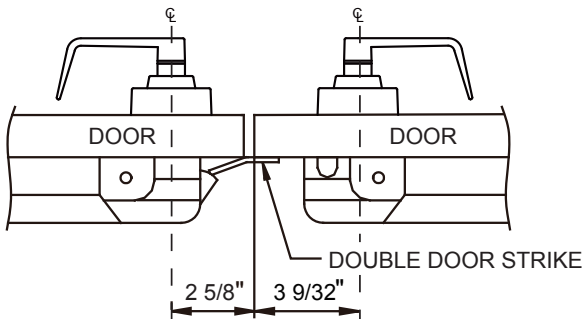
Rim Device on Single Door

A stock door backset of 2 3/4" can be used but will decrease the backset by 3/16", this can be offset by not using the 1/8" strike shim to gain 1/8" extra clearance. This will bring the backset within 1/16" which is within acceptable tolerances to operate correctly.



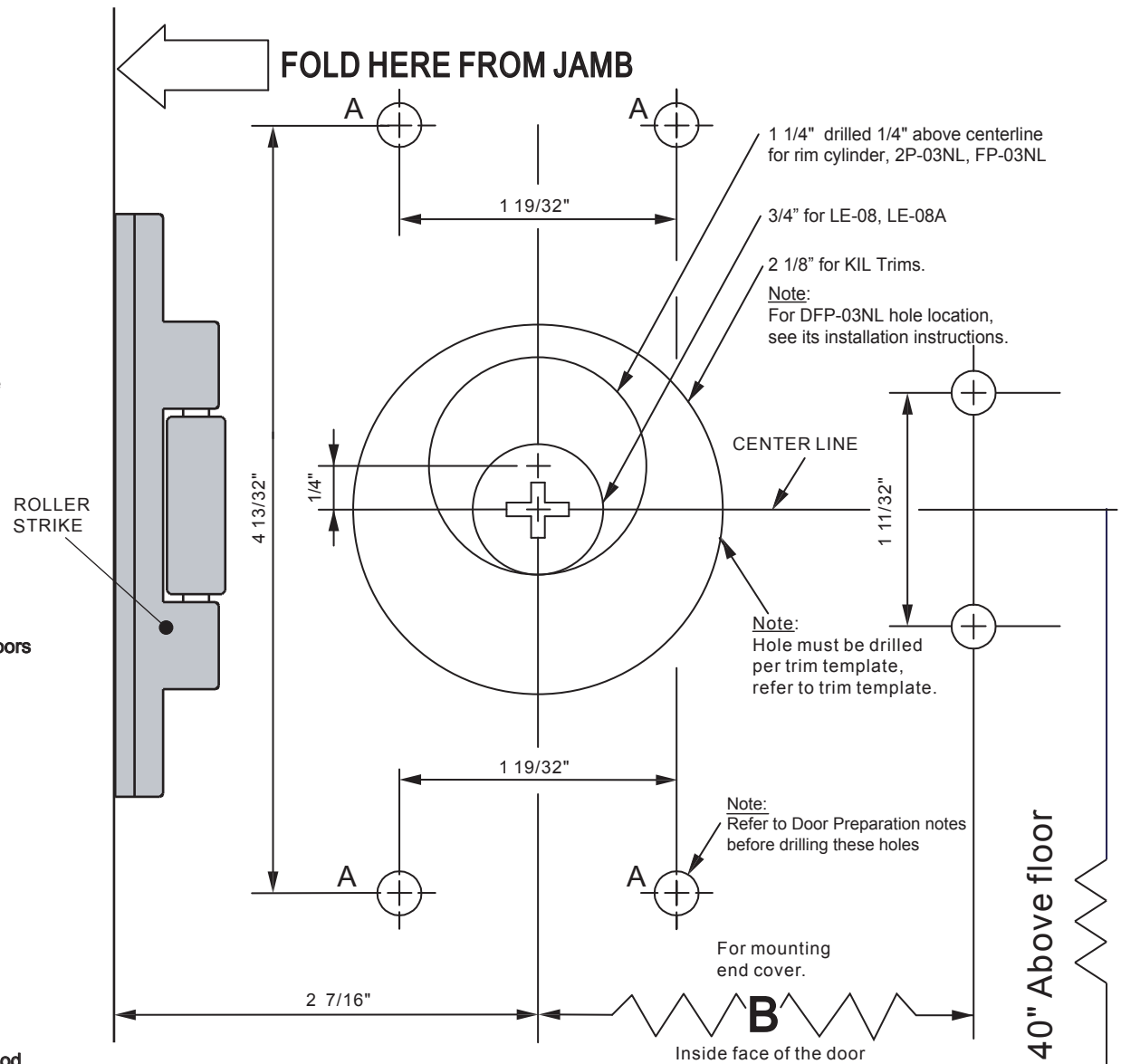
Rim x Rim x Mullion on Pair of Doors

If KRM Mullion is being used, install KRM mullion first, then outside trim adjusting backset according to KRM Mullion backset drawing and then install exit device.



Rim w/ DDS x Surface Vertical Rod on a Pair of Doors

When installing Rim device x SVR device on a pair of doors a Double Door Strike (DDS) is required. For complete template information, please refer to the DDS template.



Door Preparation for Outside Trim installations:

- (A) Mark and drill holes on outside door face according to trim template.
- (B) Mark and drill holes for End cap mounting bracket and roller strike per door preparations listed below.

Door Preparation for Exit Only installations:

- (A) For 1000R series (UL Listed) – Drill & tap for (6) 1/4"x20 machine screws for exit device and drill and tap for (3) 1/4"x20 machine screws for roller strike

Optional fasteners:

- Drill (6) 3/16" pilot holes for self tapping machine screws or wood screws & drill (3) 3/16" pilot holes for self tapping machine screws or wood screws for roller strike
- (B) For F1000R series (UL Fire Rated) – Drill 9/32" holes inside and 3/8" holes outside for the (6) thru bolts and drill & tap for (3) 1/4"x20 machine screws for roller strike

40" Above floor