

EXIT DEVICE MONITORING INSTRUCTIONS

EXIT DEVICE INSTALLATION INSTRUCTIONS

REQUEST TO EXIT (REX) AND LATCH BOLT MONITORING SWITCH (LBM)

FOR USE WITH ALL DESIGN HARDWARE MONITORED 1000 SERIES EXIT DEVICES

REQUEST TO EXIT (REX) SWITCH MONITORS EGRESS BY ACTIVATION OF ACTUATING BAR OF EXIT DEVICE

LATCH BOLT MONITORING (LBM) SWITCH MONITORS THE LATCH MECHANISM OF EXIT DEVICE

ELECTRICAL SPECIFICATIONS

- SPDT MONITOR SWITCH
- CONTACT RATING: 3 AMP @ 125VAC
2 AMP @ 30VDC

COLOR CODE FOR (REX) ALL DEVICES

- YELLOW WIRE: COMMON
- RED WIRE: NORMALLY OPEN
- GRAY WIRE: NORMALLY CLOSED
- WIRE GAUGE: #22 AWG

COLOR CODE FOR (LBM) RIM DEVICES

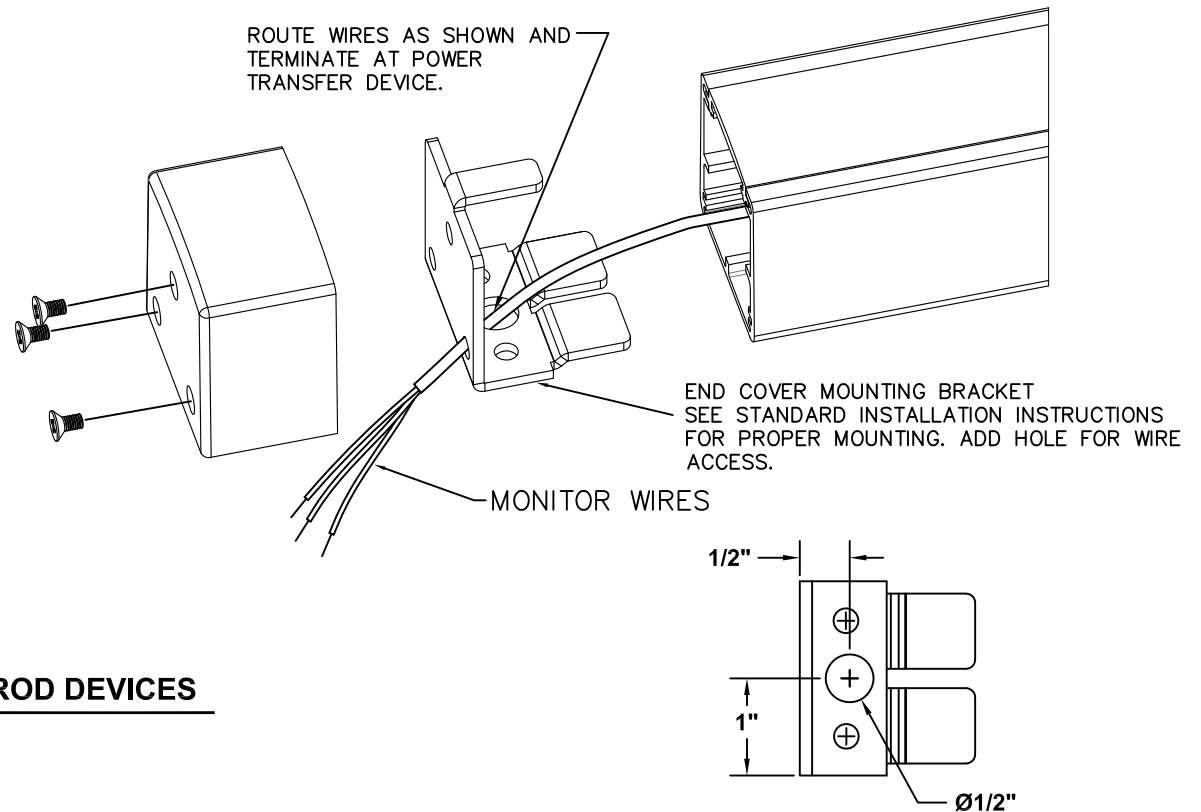
- BLACK WIRE: COMMON
- WHITE WIRE: NORMALLY OPEN
- RED WIRE: NORMALLY CLOSED
- WIRE GAUGE: #22 AWG

COLOR CODE FOR (LBM) RHR VERTICAL ROD DEVICES

- BLACK WIRE: COMMON
- WHITE WIRE: NORMALLY OPEN
- RED WIRE: NORMALLY CLOSED
- WIRE GAUGE: #22 AWG

COLOR CODE FOR (LBM) LHR VERTICAL ROD DEVICES

- BLACK WIRE: COMMON
- WHITE WIRE: NORMALLY CLOSED
- RED WIRE: NORMALLY OPEN
- WIRE GAUGE: #22 AWG



PROVIDE 1/2" DIAMETER HOLE IN END COVER MOUNTING BRACKET FOR WIRE ACCESS.